



SECTION: **20.02**

Layout specifications for Ironclad tubular and flat plate batteries, with matching chargers. Standard dimensions, capacities, weights and battery catalog numbers.

Lead Acid Batteries and Chargers for Industrial Trucks



Battery & Charger Selection Guide



Directions for Selecting a Battery and Charger:

Define your requirement:

Battery:

1. What is vehicle voltage or # of cells in battery? (# of cells is always ½ truck voltage)
2. Does truck require an “EE” or “EX” battery? (See “EE” and “EX” descriptions)
3. What is the compartment size of the truck?
4. Is truck compartment covered or does battery need a cover?
5. What is charging connector on the truck? (See Table 1)
6. What position (termination) on the battery do you wish the battery cables to come off the tray?
(See figures 1 and 2)

Ironclad – (Square-Tubular)

Workhog – Standard rating, lead acid battery, with 15% increased work from Ironclad effect.
(Cell types: **E75, E85, E125**)

Deserthog – Standard rating and run time, lead acid battery. Reduced maintenance battery, requires watering 4 times per year. (Cell types: **E85D, E100D, E125D**)

Loadhog – 17% more capacity with 30% more run time.
(Cell types: **E55L, E75L, E100, E140**)

Superhog – 25% more capacity, fastest lift and travel speeds. Up to 50% more work.
(Cell types: **E110, E155**)

Smarthog – VRLA / Sealed, maintenance free battery. No water needed.
(Cell types: **E28S, E45S, E60S, E80S, E120S**)

Express – Fast charge choice. Best charge acceptance. 17% more capacity.
(Cell types: **E100X, E140X**)

General Battery – (Flat Plate) (*55GL, 75GL, 75G are tubular batteries)

General – Conventional standard capacity, performance and run times.
(Cell types: ***55GL, *75GL, *75G, 85G, 100G, 125G**)

HUP – Heavy duty plates with high utilization positive plate for longer life.
(Cell types: **85P, 100P, 125P**)

Charger:

1. What is the voltage of the battery?
2. What phase electricity? (1phs or 3phs)
3. What is the battery AH rating?
4. What is the location’s line voltage (VAC in)?
5. Keep in mind environmental factors and specific gravity when selecting a charger.
 - a. Freezers and cold storage, where high AC line fluctuations occur, where batteries are frequently over discharged and higher gravity batteries require SCR chargers.
 - b. Standard gravity batteries in moderate environments can use Ferroresonant chargers.
6. If a non-standard charging method, (i.e. Opportunity charging, Fast charging, Multi-volt, etc) contact marketing.

Directions for Selecting a Battery and Charger:

EnerSys-Chargers

Enforcer Ferro – 100% Ferroresonant Charger for standard gravity batteries.

Enforcer SCR – Multi-voltage premium SCR charger. (conversion (option + fee) for VRLA batteries)

Enforcer IQ – Multi-voltage and Multi Amp Hour premium **high frequency charger**

Enforcer HF - Multi Amp Hour premium **high frequency charger**

Enforcer Hybrid – Hybrid, Ferroresonant charger with SCR finish for cold storage & Heavy duty applications.

Using this booklet:

1. Select appropriate voltage section
2. Find compatible physical size
3. Select appropriate height
4. Choose AH rating
5. Specify battery defining:
 - a. # of cells
 - b. cell type ⁽¹⁾
 - c. # of plates per cell
 - d. catalog number
(ie. 12-E85-13, 66211)
6. Specify Charger Type

1 **5a**
24 VOLT-12 CELL

St

Plates Per Cell	Plate Type	(3) Standard Dimensions and Catalog Numbers N/C-(W/C)			5b Cell Type (1)	3 Height in Inches N/C - W/C
		Length x Width	Length x Width	Length x Width		
13		36.00" x 11.66"	30.68" x 12.74"	25.69" x 15.62"		
					E60S	18.44" - 18.56"
					E75L	18.94" - 19.56"
					75GL	18.94" - 19.56"
		57834(57834)	57193(57193)	57840(57840)	E75	22.69" -23.36"
		57834G(57834G)	57193G(57193G)	57840G(57840G)	75G	22.69" -23.36"
67268V(67268V)	66211V(66211V)	67395V(67395V)	E80S	22.81" - 23.36"		

Walkie / Walkie-rider Truck Battery Layouts

Capacity 6 Hr. Rate		Approx Weight (2) Pounds	Recommended Chargers		
A.H.	KWH		Three Phase	Single Phase	Performance
450	5.21	402	ES3-6-550	ES1-6-450	ES3-6-550
450	5.21	402	ES3-6-550	ES1-6-450	ES3-6-550
450	5.21	444	ES3-6-550	ES1-6-450	ES3-6-550
450	5.21	444	ES3-6-550	ES1-6-450	ES3-6-550
480	5.56	558	SES3-6-550	SES1-6-550	SES3-6-550
510	5.91	468	ES3-6-550	ES1-6-550	ES3-6-550

Note: Part #'s in () are with cover and part #'s without () around them are no cover. If part # is both in and out of the () then it's a convertible tray.

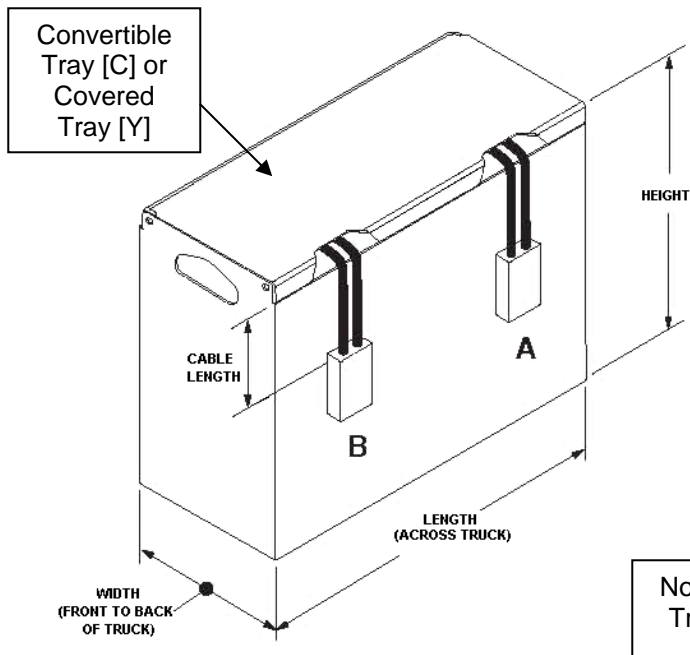
Typical Battery Configurations

UL / ANSI Type:

- E – A battery as a unit with cover, and in conformance with ANSI/UL 583 for use in Type E or ES trucks, which do not have a covered battery compartment.
- EE - A battery assembled as a unit with a cover, and in conformance with ANSI/UL 583 that can be locked for use in type EE trucks which do not have an enclosed battery compartment.
- EO - A battery assembled as a unit without a cover, and in conformance with ANSI/UL 583, for use in Type E trucks with covered battery compartment, in type ES trucks with enclosed battery compartment or in type EE trucks, with an enclosed battery compartment with locking means.

Figure 1

Typical battery 12 or 24 volt under 17 plates. Cover NOT supplied on types under 75AH per positive. Rider style tray supplied on types under 75 AH per positive.

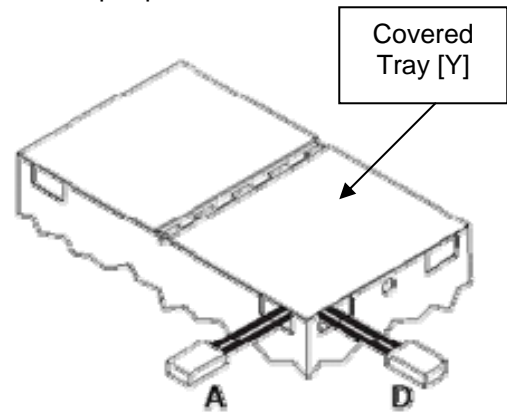


No Cover Tray [N]

Note:
Cover uses inverted hinge. Hinge saddle may project up .25" past flat of cover. Cable cutouts are always a 4" slot, 2" in from tray wall. Cable cutouts in coverless tray are shown for reference only.

Figure 2

Typical battery 30 volts or larger or 24 volt over 15 plates and all voltage batteries under 75AH per positive.



*** Batteries CANNOT be retrofitted with a cover. Specify cover when ordering.**

Typical Battery Configurations

“EE” and “EX” Batteries

Always confirm with the truck OEM or agent that one of the above types is required. “EE” trucks do not always require this special construction.

Some facilities where battery powered vehicles operate are classified as “Hazardous Locations” (Consult NFPA 505 for more details). Typically, these are facilities where combustible gasses or vapors, explosive mixtures or other hazardous materials are used, manufactured or processed. Electric powered lift trucks used in hazardous locations must, by law, be equipped with special construction to allow them to operate safely in the hazardous environment. Once the facility has been defined as “EE” or “EX” special battery construction may be required. Obtaining the battery from the OEM or truck dealer is the best way to ensure proper fit. In any event, consult headquarters before ordering either an EE or EX battery.

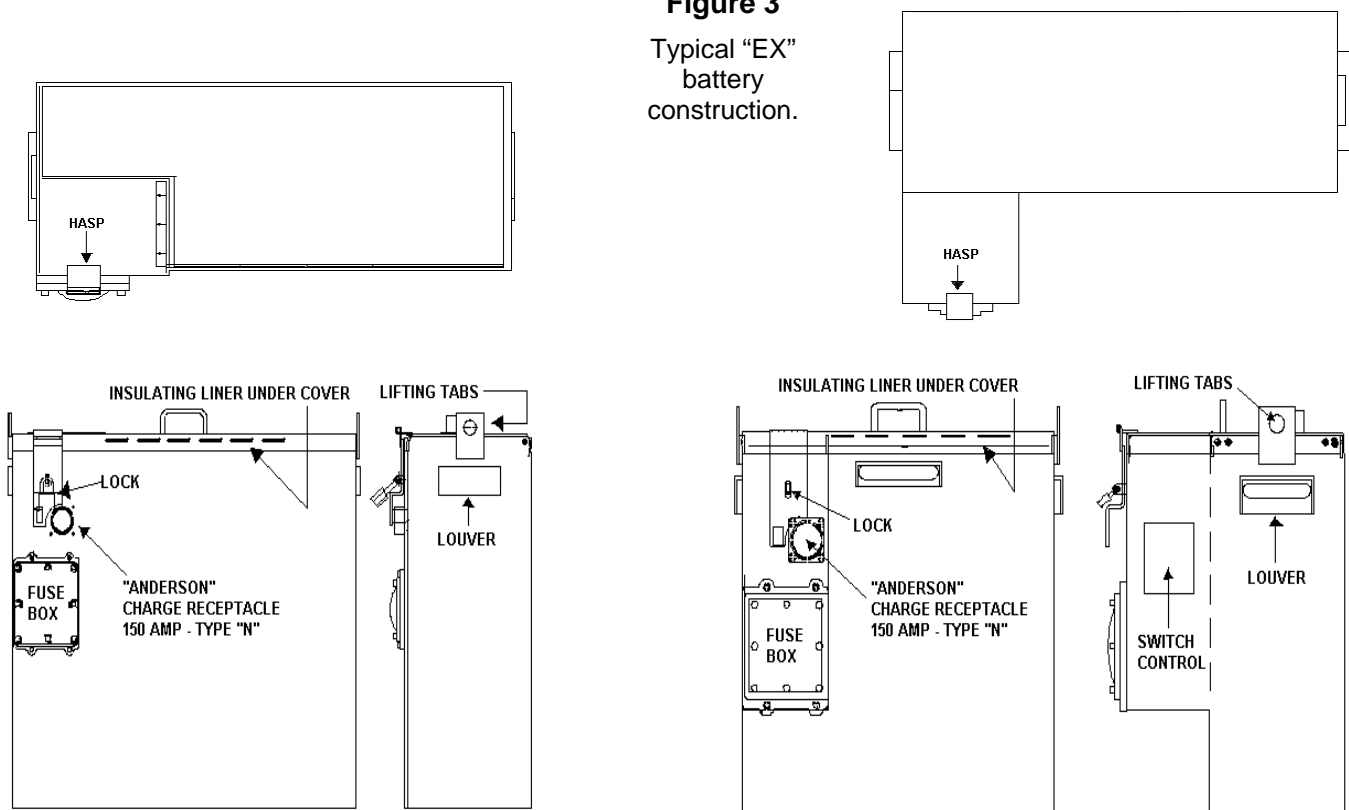
“EX” Batteries

Once the facility has been designated Class I, Group D or Class II, Group G, a special “EX” battery is mandatory. The battery’s charging connector is mounted within the steel tray and is only accessible by locking or unlocking the cover hasp. EX truck compartments are of varying designs. Many different battery assemblies are possible. Two typical examples are shown in Figure 3. “EX” batteries always require a cover and have the charging connector (Anderson Type “N” 150 amp receptacle) mounted in the fuse box compartment. Chargers for “EX” batteries require an Anderson Type “N” 150 amp plug (Part #'s 02105 and 02119 @ \$540 net adder). Chargers may not be used in an “EX” environment.

Drawing approval is mandatory before production can commence on “EX” batteries.

Figure 3

Typical “EX”
battery
construction.



Typical Battery Configurations

Information to help pick the correct “EE” battery:

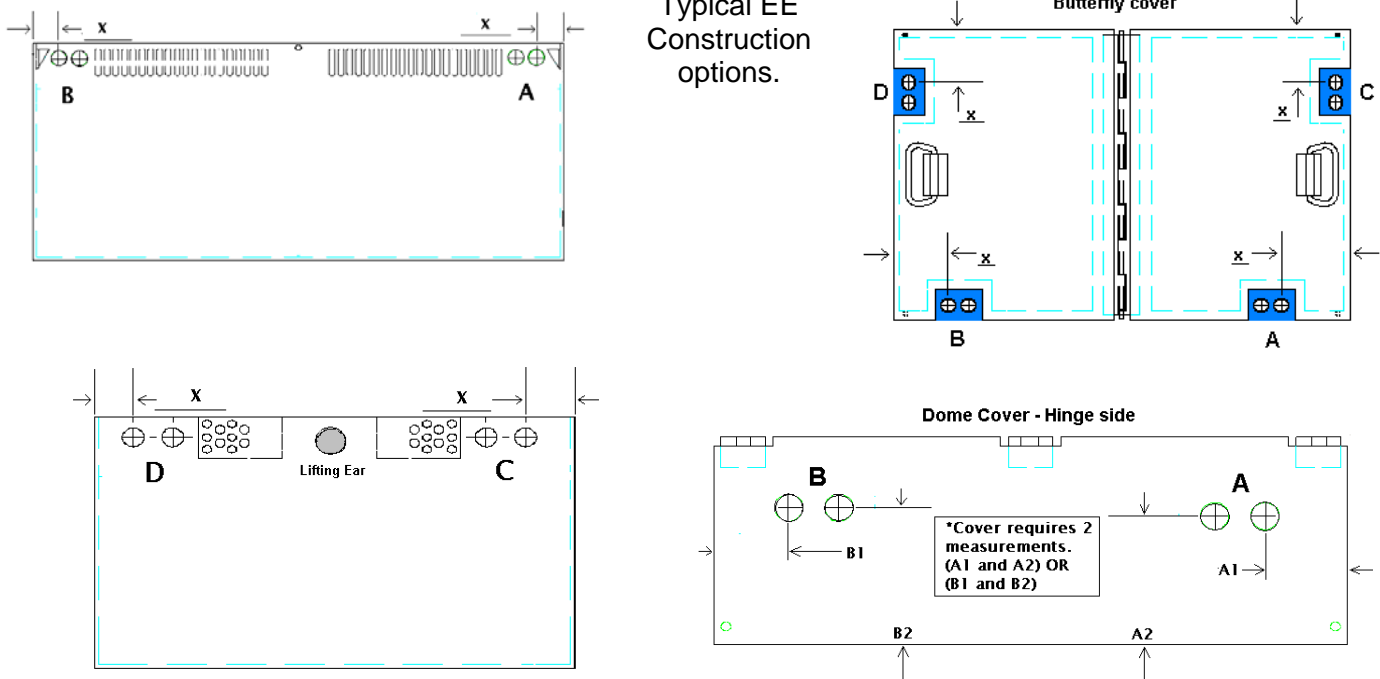
1. Type, make, and model of lift truck?
2. Open top compartment or enclosed top?
3. Compartment height if enclosed?
4. Is the truck “EE” rated? (most EE trucks do not require EE batteries – only the truck OEM can tell you if you need one).
5. Is there an existing “EE” battery in the truck?
 - a. If our battery, get the catalog number or serial number off the intercell connector.
 - b. If competitor’s battery:
 - i. Where do the cables exit (A,B, C, D or Cover) ?
 - ii. Measure from the end of the tray to the center of the first cable (X).
 - iii. If in Dome cover, measure from the end of the tray to the center of the first cable (A1/B1) and measure from the front of the tray to the center of the cables (A2/B2).
 - iv. If in Butterfly cover, measure from end of tray to center of the first cable (X).

“EE” Batteries

If the facility is defined as “EE” the truck may require an “EE” battery. As a general rule, a truck with an enclosed battery compartment and having an “EE” designation on its factory nameplate does NOT require an “EE” battery. Where the compartment is exposed, a battery with “EE” construction is mandatory. **ONLY THE TRUCK OEM CAN ABSOLUTELY DEFINE THE NEED FOR AN “EE” BATTERY.** If an “EE” battery is specified, a special covered battery will be supplied. It may be 0.5” higher than normal covered battery. Its cable leads will not be interchangeable (cable position on “EE” batteries is, standard, between 2” and 6” from end of tray) EE batteries have the same base dimensions as standard batteries. Drawing approval is mandatory before production can commence on “EE” batteries.

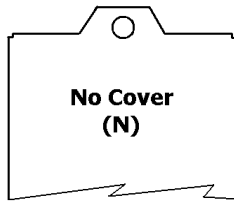
Figure 4

Typical EE Construction options.

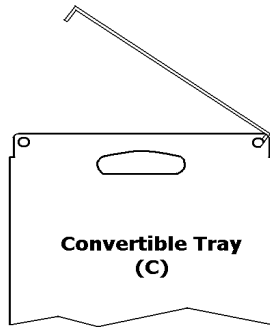


Basic Trays / Covers / Heights

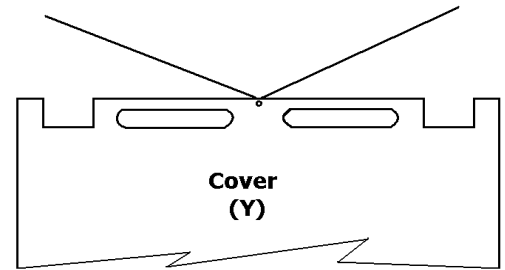
Typical Trays:



**No Cover tray
(N suffix)**
Cannot add a cover.

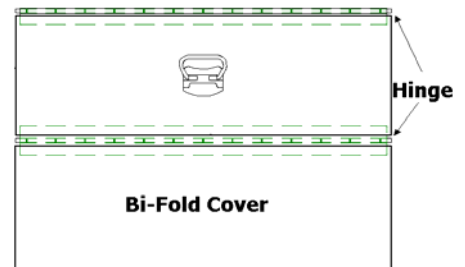
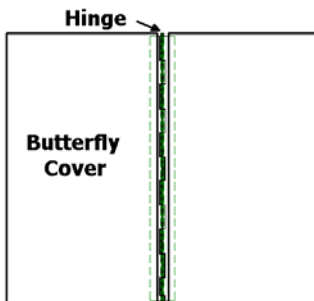


Convertible Tray (C suffix)
Specify in notes if customer wants cover or not.



Covered tray (Y suffix)
Comes standard with a cover.

Typical Covers:



Typical Tray Heights:

Cell Size	No Cover	Convertible w/o Cover	With Cover
E28S	10.81"	N/A	11.81"
E45S	14.06"	N/A	14.41"
E55L / 55GL	14.87"	15.25"	15.43"
E60S	18.44"	18.66"	18.84"
E75L / 75GL	18.94"	19.37"	19.55"
E75 / 75G / E85 / E100	22.69"	23.18"	23.36"
E80S / 85G / 85P	22.75"	23.18"	23.36"
E85D / E110 / E100X	22.81"	23.18"	23.36"
E100D / 100G / 100P	25.56"	26.12"	26.30"
E120S / 125G / 125P			
E125 / E125D / E140 / E140X / E155	30.56"	30.87"	31.06"

*Tray heights are Max tolerance.

1) Handles on cover increase the overall ht. by .63"

2) If installing a watering system on a covered battery contact marketing before ordering.

Other Information:

Cable sizing: (CAUTION: Connector MUST accept the following cable sizes)

<u>Battery A.H. Rating</u>	<u>Cable Size</u>	<u>Allowable Connectors</u>
0 - 600	#2	SB-175
601 - 800	1/0	SB-175, SB-350
801 - 920	2/0	SB-350
921 - 1050	3/0	SB-350
1051 - 1300	4/0	SB-350

If connector specified will not accept EnerSys' normal cable size, EnerSys will supply that connector but accepts no liability or responsibility for operator injury or poor vehicle performance.

Voltage Taps:

EnerSys discourages the use of voltage taps as they over discharge the tapped portion of the battery and therefore shorten battery life. However, when a voltage tap cannot be avoided, specify part # 93729 followed by the tapped voltage desired. As an example, if you needed a 24-volt tap on a 18-E85-19, #67167, you would specify all normal specifications and then add a line item:

#93729-24 for 24 volt tap

Note that the five-digit number for taps from 6-36 volts is always the same. The suffix changes to suit your specific voltage requirement.

Ordering Information:

Specify the following information to fully describe and order a battery:

Information required:

1. Number of batteries
2. Number of cells (1/2 desired voltage)
3. Cell Type (See column 6)
4. Number of Plates per cell (column 1)
5. With or without cover
6. Dimensions and/or Catalog # (columns 3, 4 and 5)
7. Cable length (30" or less std.)
8. Cable position (See figures 1,2 and 3)
9. Type of charging connector (See table 1)
10. Charge condition Charged and Wet, Moist Active (Ironclad) or Dry charged (General)
11. Additional features

Ordering Sample:

1. 2
2. 18
3. E85
4. 13
5. without cover
6. 38.33 x 22.50 x 22.63
67167
7. 30"
8. A
9. 6320
10. W (Wet), M (Moist), D (Dry)
11. No additional features.

Connectors:

TABLE 1:

Standard Anderson Charging Connectors			
Max. Cable Size – AWG.	Plug Mfg. P/N	Receptacle or Lock Half P/N	Description
1/0	06316	06316	SB175, Gray, 3 pole
#6	06319	06319	SB50
1/0	06325	06325	SB175, Gray, 36 volt
1/0	06326	06326	SB175, Blue, 48 volt
1/0	06327	06327	SB175, Orange 18 volt
1/0	06328	06328	SB175, Yellow 12 volt
1/0	06329	06329	SB175, Red, 24 volt
4/0	06320	06320	SB350, Gray 36 volt
4/0	06321	06321	SB350, Blue 48 volt
4/0	06322	06322	SB350, Red 24 volt
4/0	06323	06323	SB350, Yellow 12 volt
4/0	06324	06324	SB350, Green 72 volt
1/0	05804B	05810B	EC300, charging half
1/0	05816B		EC300, mounting half
4/0	05827B	05821B	EC300, charging half
4/0	05824B		EC300, mounting half
2/0	07204	07205	YC
1/0	06370	06370	SBX175, Gray 24 volt
1/0	06371	06371	SBX175, Blue 48 volt
1/0	06372	06372	SBX175, Orange 18 volt
1/0	06373	06373	SBX175, Yellow 12 volt
1/0	06378	06378	SBX175, Red
4/0	06340	06340	SBX350, Gray 36 volt
4/0	06341	06341	SBX350, Blue 48 volt
4/0	06342	06342	SBX350, Red 24 volt
4/0	06343	06343	SBX350, Green 72 volt
4/0	06359	06359	SBX350, Black
4/0	06360	06360	SBX350, Yellow
3/0	E6363	E6363	SBE320, Black 80 volt

G1=1/0 cable
G5=#2 cable
G6=#4 cable

G1=2/0 cable
G5=3/0 cable
G2=4/0 cable

G1=1/0cable
G3=2/0 cable

G1=2/0 cable
G2=3/0 cable
G3=4/0 cable

G6=#2cable
G1=2/0 cable
G2=3/0 cable

* The above standard charging connectors will be furnished with complete batteries at no additional cost. When SB-175 and SB-350 connectors are used exclusively, Anderson recommends connector colors for the voltage indicated.

Most Common Billable Connector Accessories			
Item	Description	Fits	Catalog #
Manual Release	For Battery / Truck or Charger	SB-175	00923 / 00924
Manual Release	For Battery / Truck or Charger	SB-350	00919G1 / 00922G1
Manual Release	For Battery / Truck or Charger	SBX-175	00993G2 / 00994G2
Manual Release	For Battery / Truck or Charger	SBX-350	00993G1 / 00994G1
A Frame Handles	For all connectors	SB/SBX-175	00995G1
A Frame Handles	For all connectors	SB/SBX-350	00995G2
Cable clamps	Consult Sales Agent	Various	Various

Battery & Charger Selection Guide

12 VOLT-6 CELL

Walkie / Walkie-rider Truck Battery Layouts

Plates Per Cell	Plate Type	(3) Standard Dimensions and Catalog Numbers N/C-(W/C)			Cell Type (1)	Height in Inches N/C - W/C	Capacity 6 Hr. Rate		Approx Weight (2) Pounds	Recommended Chargers		
		Length x Width	Length x Width	Length x Width			A.H.	KWH		Three Phase	Single Phase	Performance
5	SquareTube	12.69" x 6.63"			E75L	18.94" - 19.56"	150	1.74	150	ES3-6-550	ES1-6-550	ES3-6-550
					75GL	18.94" - 19.56"	150	1.74	150	ES3-6-550	ES1-6-550	ES3-6-550
					E75	22.69" -23.36"	150	1.74	192	ES3-6-550	ES1-6-550	ES3-6-550
					75G	22.69" -23.36"	150	1.74	192	ES3-6-550	ES1-6-550	ES3-6-550
		67158V (72074V)			E80S	22.81" - 23.36"	160	1.85	228	SES3-6-550	SES1-6-550	SES3-6-680
		67158 (72074)			E85	22.69" - 23.36"	170	1.97	198	ES3-6-550	ES1-6-550	ES3-6-680
		67158D (72074D)			E85D	22.81" - 23.36"	170	1.97	200	ES3-6-550	ES1-6-550	ES3-6-680
		500337			E100	22.69" - 23.36"	200	2.32	204	ES3-6-550	ES1-6-550	ES3-6-680
					E100D	25.56" - 26.00"	200	2.32	210	ES3-6-550	ES1-6-550	ES3-6-680
		97601 (97601)			E110	22.81" - 23.36"	220	2.55	210	ES3-6-550	ES1-6-550	ES3-6-680
	Flat	67158G (72074G)			85G	22.81" -23.36"	170	1.97	204	ES3-6-550	ES1-6-550	ES3-6-550
		67158P (72074P)			85P	22.81" -23.36"	170	1.97	210	ES3-6-550	ES1-6-550	ES3-6-550
					100G	25.56" - 26.00"	200	2.32	216	ES3-6-550	ES1-6-550	ES3-6-550
					100P	25.56" - 26.00"	200	2.32	222	ES3-6-550*	ES1-6-550	ES3-6-550
		17.25" x 6.61"			12.85" x 8.72"							
7	SquareTube				E75L	18.94" - 19.56"	225	2.61	222	ES3-6-550	ES1-6-550	ES3-6-680
					75GL	18.94" - 19.56"	225	2.61	222	ES3-6-550	ES1-6-550	ES3-6-550
					E75	22.69" -23.36"	225	2.61	258	ES3-6-550	ES1-6-550	ES3-6-680
					75G	22.69" -23.36"	225	2.61	258	ES3-6-550	ES1-6-550	ES3-6-550
		87390V			E80S	22.81" - 23.36"	240	2.78	306	SES3-6-550	SES1-6-550	SES3-6-680
		87390			E85	22.69" - 23.36"	255	2.95	276	ES3-6-550	ES1-6-550	ES3-6-680
		87390D			E85D	22.81" - 23.36"	255	2.95	280	ES3-6-550	ES1-6-550	ES3-6-680
		500117			E100	22.69" - 23.36"	300	3.47	282	ES3-6-550	ES1-6-550	ES3-6-680
					E100D	25.56" - 26.00"	300	3.47	294	ES3-6-550	ES1-6-550	ES3-6-680
		500586			E110	22.81" - 23.36"	330	3.82	288	ES3-6-550	ES1-6-550	ES3-6-680
	Flat	500076G			85G	22.81" -23.36"	255	2.95	282	ES3-6-550	ES1-6-550	ES3-6-550
		500076P			85P	22.81" -23.36"	255	2.95	288	ES3-6-550	ES1-6-550	ES3-6-550
					100G	25.56" - 26.00"	300	3.47	300	ES3-6-550	ES1-6-550	ES3-6-550
					100P	25.56" - 26.00"	300	3.47	312	ES3-6-550	ES1-6-550	ES3-6-550

(1) Also available are E28S (11.06"H), E45S (14.06"H), E55L (14.87"H), 55GL (14.87"H) and E60S (18.44"H)

(2) Caution: Weights may vary by +/-5%

* All batteries are standard layouts. Contact Sales for additional sizes and layouts

(3) If N/C and W/C are showing same part #, this designates a convertible [C] style tray. See "Typical Battery Configurations" at front of book for details.

(+) Indicates Recharge Times That May Exceed 8 Hours.

12 VOLT-6 CELL

Walkie / Walkie-rider Truck Battery Layouts

Plates Per Cell	Plate Type	(3) Standard Dimensions and Catalog Numbers N/C-(W/C)			Cell Type (1)	Height in Inches	Capacity 6 Hr. Rate		Approx Weight (2)	Recommended Chargers			
		Length x Width	Length x Width	Length x Width			A.H.	KWH		Pounds	Three Phase	Single Phase	Performance
9	Square Tube		94667		E75L	18.94" - 19.56"	300	3.47	282	ES3-6-550	ES1-6-450	ES3-6-550	
			94667G		75GL	18.94" - 19.56"	300	3.47	282	ES3-6-550	ES1-6-450	ES3-6-550	
					E75	22.69" - 23.36"	300	3.47	330	ES3-6-550	ES1-6-450	ES3-6-550	
					75G	22.69" - 23.36"	300	3.47	330	ES3-6-550	ES1-6-450	ES3-6-550	
					E80S	22.81" - 23.36"	320	3.71	390	SES3-6-550	SES1-6-450	SES3-6-550	
					E85	22.69" - 23.36"	340	3.94	336	ES3-6-550	ES1-6-450	ES3-6-550	
					E85D	22.81" - 23.36"	340	3.94	340	ES3-6-550	ES1-6-450	ES3-6-550	
					E100	22.69" - 23.36"	400	4.63	360	ES3-6-550	ES1-6-450	ES3-6-550	
					E100D	25.56" - 26.00"	400	4.63	390	ES3-6-550	ES1-6-450	ES3-6-550	
					E110	22.81" - 23.36"	440	5.10	366	ES3-6-550	ES1-6-450	ES3-6-550	
					E120S	30.56" - 31.06"	480	5.56	546	SES3-6-550	SES1-6-550	SES3-6-550	
					E125	30.56" - 31.06"	500	5.79	498	ES3-6-550	ES1-6-550	ES3-6-550	
					E125D	30.56" - 31.06"	500	5.79	498	ES3-6-550	ES1-6-550	ES3-6-550	
					E140	30.56" - 31.06"	560	6.48	522	ES3-6-680	ES1-6-680	ES3-6-680	
				E155	30.56" - 31.06"	620	7.18	528	ES3-6-680	ES1-6-680	ES3-6-680		
		Flat Plate	500014G	502527G(502527G)		85G	22.81" - 23.36"	340	3.94	342	ES3-6-550	ES1-6-550	ES3-6-550
			500014P	502527P(502527P)		85P	22.81" - 23.36"	340	3.94	354	ES3-6-550	ES1-6-550	ES3-6-550
			500138G(500138G)			100G	25.56" - 26.00"	400	4.63	390	ES3-6-550	ES1-6-550	ES3-6-550
			500138P(500138P)			100P	25.56" - 26.00"	400	4.63	402	ES3-6-550	ES1-6-550	ES3-6-550
						125G	30.56" - 31.06"	500	5.79	504	ES3-6-550	ES1-6-550	ES3-6-550
					125P	30.56" - 31.06"	500	5.79	510	ES3-6-550	ES1-6-550	ES3-6-550	
		26.48" x 6.55"	26.16" x 7.78"										
11	Square Tube				E75L	18.94" - 19.56"	375	4.34	330	ES3-6-550	ES1-6-450	ES3-6-550	
					75GL	18.94" - 19.56"	375	4.34	330	ES3-6-550	ES1-6-450	ES3-6-550	
					E75	22.69" - 23.36"	375	4.34	366	ES3-6-550	ES1-6-450	ES3-6-680	
					75G	22.69" - 23.36"	375	4.34	366	ES3-6-550	ES1-6-450	ES3-6-550	
			66103V(66103V)			E80S	22.81" - 23.36"	400	4.63	474	SES3-6-550	SES1-6-450	SES3-6-680
			66103(66103)			E85	22.69" - 23.36"	425	4.92	414	ES3-6-550	ES1-6-450	ES3-6-680
			66103D(66103D)			E85D	22.81" - 23.36"	425	4.92	419	ES3-6-550	ES1-6-450	ES3-6-680
			97502(97502)	97503(97503)		E100	22.69" - 23.36"	500	5.79	438	ES3-6-550	ES1-6-550	ES3-6-680
						E100D	25.56" - 26.00"	500	5.79	468	ES3-6-550	ES1-6-550	ES3-6-680
			97602(97602)	97603(97603)		E110	22.81" - 23.36"	550	6.37	444	ES3-6-550	ES1-6-550	ES3-6-680
						E120S	30.56" - 31.06"	600	6.95	648	SES3-6-680	SES1-6-680	SES3-6-680
						E125	30.56" - 31.06"	625	7.24	600	ES3-6-680	ES1-6-680	ES3-6-680
						E125D	30.56" - 31.06"	625	7.24	600	ES3-6-680	ES1-6-680	ES3-6-680
						E140	30.56" - 31.06"	700	8.11	630	ES3-6-850	ES1-12-750++	ES3-6-850
					E140X								
					E155	30.56" - 31.06"	775	8.97	642	ES3-6-850	ES1-12-850++	ES3-6-850	
		Flat Plate	67063G(67063G)	66103G(66103G)		85G	22.81" - 23.36"	425	4.92	420	ES3-6-550	ES1-6-550	ES3-6-550
			67063P(67063P)	66103P(66103P)		85P	22.81" - 23.36"	425	4.92	432	ES3-6-550	ES1-6-550	ES3-6-550
			500490G(500490G)	98386G(98386G)		100G	25.56" - 26.00"	500	5.79	468	ES3-6-550	ES1-6-550	ES3-6-550
			500490P(500490P)	98386P(98386P)		100P	25.56" - 26.00"	500	5.79	480	ES3-6-550	ES1-6-550	ES3-6-550
			504416G(504416G)		125G	30.56" - 31.06"	625	7.24	606	ES3-6-680	ES1-6-680	ES3-6-680	
			504416P(504416P)		125P	30.56" - 31.06"	625	7.24	612	ES3-6-680	ES1-6-680	ES3-6-680	

(1) Also available are E28S (11.06"H), E45S (14.06"H), E55L (14.87"H), 55GL (14.87"H) and E60S (18.44"H)

(2) Caution: Weights may vary by +/-5%

* All batteries are standard layouts. Contact Sales for additional sizes and layouts

(3) If N/C and W/C are showing same part #, this designates a convertible [C] style tray. See "Typical Battery Configurations" at front of book for details.

(+) Indicates Recharge Times That May Exceed 8 Hours.

(++)Charger will need to be programmed for 6 cells and Recharge Times That May Exceed 8 Hours

12 VOLT-6 CELL

Walkie / Walkie-rider Truck Battery Layouts

Plates Per Cell	Plate Type	(3) Standard Dimensions and Catalog Numbers N/C-(W/C)			Cell Type (1)	Height in Inches	Capacity 6 Hr. Rate		Approx Weight (2)	Recommended Chargers			
		Length x Width	Length x Width	Length x Width			A.H.	KWH		Pounds	Three Phase	Single Phase	Performance
		30.76" X 6.55"	30.57" x 7.75"										
13	Square Tube				E75L	18.94" - 19.56"	450	5.21	402	ES3-6-550	ES1-6-450	ES3-6-550	
					75GL	18.94" - 19.56"	450	5.21	402	ES3-6-550	ES1-6-450	ES3-6-550	
			57608		E75	22.69" -23.36"	450	5.21	444	ES3-6-550	ES1-6-450	ES3-6-550	
			57608G		75G	22.69" -23.36"	450	5.21	444	ES3-6-550	ES1-6-450	ES3-6-550	
		66298V(66298V)	66998V(66998V)		E80S	22.81" - 23.36"	480	5.56	558	SES3-6-550	SES1-6-550	SES3-6-550	
		66298(66298)	66998(66998)		E85	22.69" - 23.36"	510	5.91	468	ES3-6-550	ES1-6-550	ES3-6-550	
		66298D(66298D)	66998D(66998D)		E85D	22.81" - 23.36"	510	5.91	491	ES3-6-550	ES1-6-550	ES3-6-550	
			97506(97506)		E100	22.69" - 23.36"	600	6.95	516	ES3-6-680	ES1-6-680	ES3-6-680	
					E100D	25.56" - 26.00"	600	6.95	546	ES3-6-680	ES1-6-680	ES3-6-680	
		97606(97606)	97607(97607)		E110	22.81" - 23.36"	660	7.64	528	ES3-6-680	ES1-6-680	ES3-6-680	
		(505093V)	503733V(503733V)		E120S	30.56" - 31.06"	720	8.34	750	SES3-12-750++	SES1-6-680	SES3-12-750++	
		(505093W)	503733W(503733W)		E125	30.56" - 31.06"	750	8.69	696	SES3-12-750++	ES1-6-680	SES3-12-750++	
		(505093D)	503733D(503733D)		E125D	30.56" - 31.06"	750	8.69	696	SES3-12-750++	ES1-6-680	SES3-12-750++	
	(505093L)	503733L(503733L)		E140	30.56" - 31.06"	840	9.73	720	ES3-12-850++	ES1-6-680	ES3-12-850++		
	(505093S)	503733S(503733S)		E155	30.56" - 31.06"	930	10.77	726	ES3-12-850++	ES1-6-680	ES3-12-850++		
	66298G(66298G)	66998G(66998G)		85G	22.81" -23.36"	510	5.91	486	ES3-6-450	ES1-6-450	ES3-6-550		
	66298P(66298P)	66998P(66998P)		85P	22.81" -23.36"	510	5.91	498	ES3-6-450	ES1-6-450	ES3-6-550		
	99328G(99328G)	98687G(98687G)		100G	25.56" - 26.00"	600	6.95	564	ES3-6-550	ES1-6-680	ES3-6-680		
	99328P(99328P)	98687P(98687P)		100P	25.56" - 26.00"	600	6.95	582	ES3-6-550	ES1-6-680	ES3-6-680		
	(505093G)	503733G(503733G)		125G	30.56" - 31.06"	750	8.69	708	ES3-6-680	ES1-12-750++	ES3-6-850		
(50593P)	503733P(503733P)		125P	30.56" - 31.06"	750	8.69	720	ES3-6-680	ES1-12-750++	ES3-6-850			
	35.07" x 7.78"	17.89" x 12.96"											
15	Square Tube				E75L	18.94" - 19.56"	525	6.08	474	ES3-6-550	ES1-6-550	ES3-6-550	
					75GL	18.94" - 19.56"	525	6.08	474	ES3-6-550	ES1-6-550	ES3-6-550	
		502351(502351)	57805(57805)		E75	22.69" -23.36"	525	6.08	522	ES3-6-550	ES1-6-550	ES3-6-550	
		502351G(502351G)	57805G(57805G)		75G	22.69" -23.36"	525	6.08	522	ES3-6-550	ES1-6-550	ES3-6-550	
			67070V(67070V)		E80S	22.81" - 23.36"	560	6.48	636	SES3-6-680	SES1-6-680	SES3-6-680	
			67070(67070)		E85	22.69" - 23.36"	595	6.89	558	ES3-6-680	ES1-6-680	ES3-6-680	
			67070D(67070D)		E85D	22.81" - 23.36"	595	6.89	565	ES3-6-680	ES1-6-680	ES3-6-680	
			97508(97508)		E100	22.69" - 23.36"	700	8.11	594	ES3-6-850	ES1-12-750++	ES3-6-850	
					E100D	25.56" - 26.00"	700	8.11	636	ES3-6-850	ES1-12-750++	ES3-6-850	
					E110	22.81" - 23.36"	770	8.92	606	ES3-6-850	ES1-12-850++	ES3-6-850	
			505012V(505012V)		E120S	30.56" - 31.06"	840	9.73	852	SES3-6-850	ES1-12-850++	SES3-6-850	
			505012W(505012W)		E125	30.56" - 31.06"	875	10.13	792	ES3-6-10	ES1-12-850++	ES3-6-10	
			505012D(505012D)		E125D	30.56" - 31.06"	875	10.13	792	ES3-6-10	ES1-12-850++	ES3-6-10	
		505012L(505012L)		E140	30.56" - 31.06"	980	11.35	816	ES3-6-10	ES1-12-850++	ES3-6-10		
		505012S(505012S)		E155	30.56" - 31.06"	1085	12.56	822	ES3-6-10	N/A	ES3-6-10		
	506171G(506171G)	67070G(67070G)		85G	22.81" -23.36"	595	6.89	570	ES3-6-680	ES1-6-680	ES3-6-680		
	506171P(506171P)	67070P(67070P)		85P	22.81" -23.36"	595	6.89	582	ES3-6-680	ES1-6-680	ES3-6-680		
				100G	25.56" - 26.00"	700	8.11	660	ES3-6-850	ES1-12-750++	ES3-6-850		
				100P	25.56" - 26.00"	700	8.11	684	ES3-6-850	ES1-12-750++	ES3-6-850		
		505012G(505012G)		125G	30.56" - 31.06"	875	10.13	804	ES3-6-850+	ES1-12-850++	ES3-6-850+		
	505012P(505012P)		125P	30.56" - 31.06"	875	10.13	816	ES3-6-850+	ES1-12-850++	ES3-6-850+			

(1) Also available are E28S (11.06"H), E45S (14.06"H), E55L (14.87"H), 55GL (14.87"H) and E60S (18.44"H)

(2) Caution: Weights may vary by +/-5%

* All batteries are standard layouts. Contact Sales for additional sizes and layouts

(3) If N/C and W/C are showing same part #, this designates a convertible [C] style tray. See "Typical Battery Configurations" at front of book for details.

(+) Indicates Recharge Times That May Exceed 8 Hours.

(++)Charger will need to be programmed for 6 cells and Recharge Times That May Exceed 8 Hours

12 VOLT-6 CELL

Walkie / Walkie-rider Truck Battery Layouts

Plates Per Cell	Plate Type	(3) Standard Dimensions and Catalog Numbers N/C-(W/C)			Cell Type (1)	Height in Inches N/C - W/C	Capacity 6 Hr. Rate		Approx Weight (2) Pounds	Recommended Chargers			
		Length x Width 38.18" x 6.97"	Length x Width 20.16" x 12.97"	Length x Width			A.H.	KWH		Three Phase	Single Phase	Performance	
17	SquareTube				E75L	18.94" - 19.56"	600	6.95	540	ES3-6-680	ES1-6-680	ES3-6-680	
					75GL	18.94" - 19.56"	600	6.95	540	ES3-6-680	ES1-6-680	ES3-6-680	
					E75	22.69" -23.36"	600	6.95	600	ES3-6-680	ES1-6-680	ES3-6-680	
					75G	22.69" -23.36"	600	6.95	600	ES3-6-680	ES1-6-680	ES3-6-680	
			67075V(67075V)		E80S	22.81" - 23.36"	640	7.41	762	SES3-6-680	SES1-6-680	SES3-6-680	
			67075(67075)		E85	22.69" - 23.36"	680	7.87	636	ES3-6-680	ES1-6-680	ES3-6-680	
			67075D(67075D)		E85D	22.81" - 23.36"	680	7.87	644	ES3-6-680	ES1-6-680	ES3-6-680	
					E100	22.69" - 23.36"	800	9.26	678	ES3-12-850++	ES1-12-850++	ES3-12-850++	
					E100D	25.56" - 26.00"	800	9.26	708	ES3-12-850++	ES1-12-850++	ES3-12-850++	
					E110	22.81" - 23.36"	880	10.19	690	ES3-12-950++	ES1-12-850++	ES3-12-950++	
					E120S	30.56" - 31.06"	960	11.12	966	SES3-12-1050++	SES1-12-850++	SES3-12-1050++	
					E125	30.56" - 31.06"	1000	11.58	900	ES3-12-1050++	ES1-12-850++	ES3-12-1050++	
					E125D	30.56" - 31.06"	1000	11.58	900	ES3-12-1050++	ES1-12-850++	ES3-12-1050++	
					E140	30.56" - 31.06"	1120	12.97	924	ES3-12-1200++	N/A	ES3-12-1200++	
					E155	30.56" - 31.06"	1240	14.36	936	ES3-12-1500++	N/A	ES3-12-1500++	
		Flat Plate	67075G(67075G)	85G	22.81" -23.36"	680	7.87	642	ES3-6-680	ES1-6-680	ES3-6-680		
			67075P(67075P)	85P	22.81" -23.36"	680	7.87	654	ES3-6-680	ES1-6-680	ES3-6-680		
			500534G(500534G)	100G	25.56" - 26.00"	800	9.26	744	ES3-12-850++	ES1-12-850++	ES3-12-850++		
			500534P(500534P)	100P	25.56" - 26.00"	800	9.26	768	ES3-12-850++	ES1-12-850++	ES3-12-850++		
				125G	30.56" - 31.06"	1000	11.58	918	ES3-12-1050++	ES1-12-850++	ES3-12-1050++		
				125P	30.56" - 31.06"	1000	11.58	936	ES3-12-1050++	ES1-12-850++	ES3-12-1050++		
			38.19" x 7.69"	22.38" x 12.97"									
	19	SquareTube				E75L	18.94" - 19.56"	675	7.82	600	ES3-6-680	ES1-6-680	ES3-6-680
					75GL	18.94" - 19.56"	675	7.82	600	ES3-6-680	ES1-6-680	ES3-6-680	
					E75	22.69" -23.36"	675	7.82	666	ES3-6-680	ES1-6-680	ES3-6-680	
					75G	22.69" -23.36"	675	7.82	666	ES3-6-680	ES1-6-680	ES3-6-680	
(89279V)			67080V(67080V)		E80S	22.81" - 23.36"	720	8.34	810	SES3-6-850	SES1-12-850	SES3-6-850	
(89279)			67080(67080)		E85	22.69" - 23.36"	765	8.86	708	ES3-6-850	ES1-12-850	ES3-6-850	
(89279D)			67080D(67080D)		E85D	22.81" - 23.36"	765	8.86	716	ES3-6-850	ES1-12-850	ES3-6-850	
			500361(500361)		E100	22.69" - 23.36"	900	10.42	756	ES3-12-950++	ES1-12-850++	ES3-12-950++	
					E100D	25.56" - 26.00"	900	10.42	786	ES3-12-950++	ES1-12-850++	ES3-12-950++	
					E110	22.81" - 23.36"	990	11.46	774	ES3-12-1050++	ES1-12-850++	ES3-12-1050++	
					E120S	30.56" - 31.06"	1080	12.51	1056	SES3-12-1200++	N/A	SES3-12-1200++	
					E125	30.56" - 31.06"	1125	13.03	1008	ES3-12-1200++	N/A	ES3-12-1200++	
					E125D	30.56" - 31.06"	1125	13.03	1008	ES3-12-1200++	N/A	ES3-12-1200++	
					E140	30.56" - 31.06"	1260	14.59	1032	ES3-12-1500++	N/A	ES3-12-1500++	
					E155	30.56" - 31.06"	1395	16.15	1044	ES3-12-1500++	N/A	ES3-12-1500++	
		Flat Plate	(89279G)	67080G(67080G)		85G	22.81" -23.36"	765	8.86	714	ES3-12-850++	ES1-12-850++	ES3-12-850++
			(89279P)	67080P(67080P)		85P	22.81" -23.36"	765	8.86	720	ES3-12-850++	ES1-12-50++	ES3-12-850++
					100G	25.56" - 26.00"	900	10.42	834	ES3-12-950++	ES1-12-850++	ES3-12-950++	
					100P	25.56" - 26.00"	900	10.42	864	ES3-12-950++	ES1-12-850++	ES3-12-950++	
					125G	30.56" - 31.06"	1125	13.03	1020	ES3-12-1200++	N/A	ES3-12-1200++	
					125P	30.56" - 31.06"	1125	13.03	1050	ES3-12-1200++	N/A	ES3-12-1200++	

(1) Also available are E28S (11.06"H), E45S (14.06"H), E55L (14.87"H), 55GL (14.87"H) and E60S (18.44"H)

(2) Caution: Weights may vary by +/-5%

* All batteries are standard layouts. Contact Sales for additional sizes and layouts

(3) If N/C and W/C are showing same part #, this designates a convertible [C] style tray. See "Typical Battery Configurations" at front of book for details.

(+) Indicates Recharge Times That May Exceed 8 Hours

(++)Charger will need to be programmed for 6 cells and Recharge Times That May Exceed 8 Hours

12 VOLT-6 CELL

Walkie / Walkie-rider Truck Battery Layouts

Plates Per Cell	Plate Type	(3) Standard Dimensions and Catalog Numbers N/C-(W/C)			Cell Type (1)	Height in Inches N/C - W/C	Capacity 6 Hr. Rate		Approx Weight (2) Pounds	Recommended Chargers		
		Length x Width	Length x Width	Length x Width			A.H.	KWH		Three Phase	Single Phase	Performance
		38.33" x 8.44"	24.63" x 12.78"									
21	Square Tube				E75L	18.94" - 19.56"	750	8.69	660	ES3-6-850	ES1-12-850++	ES3-6-850
					75GL	18.94" - 19.56"	750	8.69	660	ES3-6-850	ES1-12-850++	ES3-6-850
					E75	22.69" - 23.36"	750	8.69	732	ES3-6-850	ES1-12-850++	ES3-6-850
					75G	22.69" - 23.36"	750	8.69	732	ES3-6-850	ES1-12-850++	ES3-6-850
			67082V(67082V)		E80S	22.81" - 23.36"	800	9.26	888	SES3-6-850	ES1-12-850++	SES3-6-850
			67082(67082)		E85	22.69" - 23.36"	850	9.84	780	ES3-6-850	ES1-12-850++	ES3-6-850
			67082D(67082D)		E85D	22.81" - 23.36"	850	9.84	790	ES3-6-850	ES1-12-850++	ES3-6-850
					E100	22.69" - 23.36"	1000	11.58	840	ES3-12-1050++	ES1-12-850++	ES3-12-1050++
					E100D	25.56" - 26.00"	1000	11.58	870	ES3-12-1050++	ES1-12-850++	ES3-12-1050++
					E110	22.81" - 23.36"	1100	12.74	858	ES3-12-1200++	N/A	ES3-12-1200++
					E120S	30.56" - 31.06"	1200	13.90	1164	ES3-12-1200++	N/A	ES3-12-1200++
					E125	30.56" - 31.06"	1250	14.48	1104	ES3-12-1500++	N/A	ES3-12-1500++
					E125D	30.56" - 31.06"	1250	14.48	1104	ES3-12-1500++	N/A	ES3-12-1500++
					E140	30.56" - 31.06"	1400	16.21	1146	ES3-12-1500++	N/A	ES3-12-1500++
				E155	30.56" - 31.06"	1550	17.95	1158	ES3-12-1500++	N/A	ES3-12-1500++	
		Flat Plate		67082G(67082G)	85G	22.81" - 23.36"	850	9.84	786	ES3-12-850	ES1-12-850++	ES3-12-850
				67082P(67082P)	85P	22.81" - 23.36"	850	9.84	798	ES3-12-850	ES1-12-850++	ES3-12-850
					100G	25.56" - 26.00"	1000	11.58	900	ES3-12-1050++	ES1-12-850++	ES3-12-1050++
					100P	25.56" - 26.00"	1000	11.58	936	ES3-12-1050++	ES1-12-850++	ES3-12-1050++
					125G	30.56" - 31.06"	1250	14.48	1122	ES3-12-1500++	N/A	ES3-12-1500++
				125P	30.56" - 31.06"	1250	14.48	1164	ES3-12-1500++	N/A	ES3-12-1500++	
		38.33" x 9.12	27.12" x 12.97"									
23	Square Tube				E75L	18.94" - 19.56"	825	9.55	660	ES3-6-850	ES1-12-850++	ES3-6-850
					75GL	18.94" - 19.56"	825	9.55	726	ES3-6-850	ES1-12-850++	ES3-6-850
					E75	22.69" - 23.36"	825	9.55	804	ES3-6-850	ES1-12-850++	ES3-6-850
					75G	22.69" - 23.36"	825	9.55	804	ES3-6-850	ES1-12-850++	ES3-6-850
			67085V(67085V)		E80S	22.81" - 23.36"	880	10.19	966	SES3-12-950++	SES1-12-850++	SES3-12-950++
			67085(67085)		E85	22.69" - 23.36"	935	10.83	858	ES3-12-950++	ES1-12-850++	ES3-12-950++
			67085D(67085D)		E85D	22.81" - 23.36"	935	10.83	868	ES3-12-1050++	ES1-12-850++	ES3-12-1050++
					E100	22.69" - 23.36"	1100	12.74	912	ES3-12-1200++	N/A	ES3-12-1200++
					E100D	25.56" - 26.00"	1100	12.74	966	ES3-12-1200++	N/A	ES3-12-1200++
					E110	22.81" - 23.36"	1210	14.01	930	ES3-12-1500++	N/A	ES3-12-1500++
					E120S	30.56" - 31.06"	1320	15.29	1260	ES3-12-1500++	N/A	ES3-12-1500++
					E125	30.56" - 31.06"	1375	15.92	1212	ES3-12-1500++	N/A	ES3-12-1500++
					E125D	30.56" - 31.06"	1375	15.92	1212	ES3-12-1500++	N/A	ES3-12-1500++
					E140	30.56" - 31.06"	1540	17.83	1242	ES3-12-1500++	N/A	ES3-12-1500++
				E155	30.56" - 31.06"	1705	19.74	1254	ES3-12-1500++	N/A	ES3-12-1500++	
		Flat Plate		67085G(67085G)	85G	22.81" - 23.36"	935	10.83	864	ES3-12-950++	ES1-12-850++	ES3-12-950++
				67085P(67085P)	85P	22.81" - 23.36"	935	10.83	876	ES3-12-950++	ES1-12-850++	ES3-12-950++
					100G	25.56" - 26.00"	1100	12.74	978	ES3-12-1200++	N/A	ES3-12-1200++
					100P	25.56" - 26.00"	1100	12.74	1008	ES3-12-1200++	N/A	ES3-12-1200++
					125G	30.56" - 31.06"	1375	15.92	1236	ES3-12-1500++	N/A	ES3-12-1500++
				125P	30.56" - 31.06"	1375	15.92	1272	ES3-12-1500++	N/A	ES3-12-1500++	

(1) Also available are E28S (11.06"H), E45S (14.06"H), E55L (14.87"H), 55GL (14.87"H) and E60S (18.44"H)

(2) Caution: Weights may vary by +/-5%

* All batteries are standard layouts. Contact Sales for additional sizes and layouts

(3) If N/C and W/C are showing same part #, this designates a convertible [C] style tray. See "Typical Battery Configurations" at front of book for details.

(+) Indicates Recharge Times That May Exceed 8 Hours.

(++)Charger will need to be programmed for 6 cells and Recharge Times That May Exceed 8 Hours

12 VOLT-6 CELL

Walkie / Walkie-rider Truck Battery Layouts

Plates Per Cell	Plate Type	(3) Standard Dimensions and Catalog Numbers N/C-(W/C)			Cell Type (1)	Height in Inches N/C - W/C	Capacity		Approx Weight (2) Pounds	Recommended Chargers			
		Length x Width	Length x Width	Length x Width			A.H.	KWH		Three Phase	Single Phase	Performance	
		38.33" x 9.94"	29.13" x 12.86"										
25	SquareTube				E75L	18.94" - 19.56"	900	10.42	780	ES3-12-950++	ES1-12-850++	ES3-12-950++	
					75GL	18.94" - 19.56"	900	10.42	780	ES3-12-950++	ES1-12-850++	ES3-12-950++	
			57809(57809)		E75	22.69" -23.36"	900	10.42	870	ES3-12-950++	ES1-12-850++	ES3-12-950++	
			57809G(57809G)		75G	22.69" -23.36"	900	10.42	870	ES3-12-950++	ES1-12-850++	ES3-12-950++	
			67086V(67086V)		E80S	22.81" - 23.36"	960	11.12	1044	SES3-12-1050++	ES1-12-850++	SES3-12-1050++	
			67086(67086)		E85	22.69" - 23.36"	1020	11.81	936	ES3-12-1050++	ES1-12-850++	ES3-12-1050++	
			67086D(67086D)		E85D	22.81" - 23.36"	1020	11.81	947	ES3-12-1050++	ES1-12-850++	ES3-12-1050++	
			97511(97511)		E100	22.69" - 23.36"	1200	13.90	996	ES3-12-1200++	N/A	ES3-12-1200++	
					E100D	25.56" - 26.00"	1200	13.90	1050	ES3-12-1200++	N/A	ES3-12-1200++	
			97614(97614)		E110	22.81" - 23.36"	1320	15.29	1014	ES3-12-1500++	N/A	ES3-12-1500++	
			505367V(505367V)		E120S	30.56" - 31.06"	1440	16.68	1356	ES3-12-1500++	N/A	ES3-12-1500++	
			505367W(505367W)		E125	30.56" - 31.06"	1500	17.37	1320	ES3-12-1500++	N/A	ES3-12-1500++	
			505367D(505367D)		E125D	30.56" - 31.06"	1500	17.37	1320	ES3-12-1500++	N/A	ES3-12-1500++	
			505367L(505367L)		E140	30.56" - 31.06"	1680	19.45	1338	ES3-12-1500++	N/A	ES3-12-1500++	
			505367S(505367S)		E155	30.56" - 31.06"	1860	21.54	1350	ES3-12-1500++	N/A	ES3-12-1500++	
			Flat Plate	67086G(67086G)		85G	22.81" -23.36"	1020	11.81	948	ES3-12-1050++	ES1-12-850++	ES3-12-1050++
				67086P(67086P)		85P	22.81" -23.36"	1020	11.81	954	ES3-12-1050++	ES1-12-850++	ES3-12-1050++
					100G	25.56" - 26.00"	1200	13.90	1068	ES3-12-1200++	N/A	ES3-12-1200++	
					100P	25.56" - 26.00"	1200	13.90	1104	ES3-12-1200++	N/A	ES3-12-1200++	
		505367G(505367G)			125G	30.56" - 31.06"	1500	17.37	1314	SES3-12-1500++	N/A	SES3-12-1500++	
			505367P(505367P)		125P	30.56" - 31.06"	1500	17.37	1344	SES3-12-1500++	N/A	SES3-12-1500++	

(1) Also available are E28S (11.06"H), E45S (14.06"H), E55L (14.87"H), 55GL (14.87"H) and E60S (18.44"H)

(2) Caution: Weights may vary by +/-5%

* All batteries are standard layouts. Contact Sales for additional sizes and layouts

(3) If N/C and W/C are showing same part #, this designates a convertible [C] style tray. See "Typical Battery Configurations" at front of book for details.

(+) Indicates Recharge Times That May Exceed 8 Hours.

(++)Charger will need to be programmed for 6 cells and Recharge Times That May Exceed 8 Hours

24 VOLT-12 CELL

Stand-up Rider and Narrow Aisle Truck Layouts

Plates Per Cell	Plate Type	(3) Standard Dimensions and Catalog Numbers N/C-(W/C)			Cell Type (1)	Height in Inches	Capacity		Approx Weight (2)	Recommended Chargers			
		Length x Width	Length x Width	Length x Width			A.H.	KWH		Pounds	Three Phase	Single Phase	Performance
		25.62" x 6.50"											
5	Square Tube				E60S	18.44" - 18.56"	120	2.78	432	SES3-12-550	SES1-12-380	SES3-12-550	
		99368(99368)			E75L	18.94" - 19.56"	150	3.47	300	ES3-12-550	ES1-12-380	ES3-12-550	
		99368G(99368G)			75GL	18.94" - 19.56"	150	3.47	300	ES3-12-550	ES1-12-380	ES3-12-550	
					E75	22.69" - 23.36"	150	3.47	384	ES3-12-550	ES1-12-380	ES3-12-550	
					75G	22.69" - 23.36"	150	3.47	384	ES3-12-550	ES1-12-380	ES3-12-550	
		70673V(70673V)			E80S	22.81" - 23.36"	160	3.71	456	SES3-12-550	SES1-12-380	SES3-12-550	
		70673(70673)			E85	22.69" - 23.36"	170	3.94	396	ES3-12-550	ES1-12-380	ES3-12-550	
		70673D(70673D)			E85D	22.81" - 23.36"	170	3.94	401	ES3-12-550	ES1-12-380	ES3-12-550	
		97512(97512)			E100	22.69" - 23.36"	200	4.63	408	ES3-12-550	ES1-12-550	ES3-12-550	
		500328D(500328D)			E100D	25.56" - 26.00"	200	4.63	420	ES3-12-550	ES1-12-550	ES3-12-550	
		97615(97615)			E110	22.81" - 23.36"	220	5.10	420	ES3-12-550	ES1-12-550	ES3-12-550	
		505879V(505879V)			E120S	30.56" - 31.06"	240	5.56	636	SES3-12-550	SES1-12-550	SES3-12-550	
		505879W(505879W)			E125	30.56" - 31.06"	250	5.79	624	ES3-12-550	ES1-12-550	ES3-12-550	
		505879D(505879D)			E125D	30.56" - 31.06"	250	5.79	624	ES3-12-550	ES1-12-550	ES3-12-550	
	505879L(505879L)			E140	30.56" - 31.06"	280	6.48	636	ES3-12-680	ES1-12-680	ES3-12-680		
	505879S(505879S)			E155	30.56" - 31.06"	310	7.18	648	ES3-12-680	ES1-12-680	ES3-12-680		
	Flat Plate	70673G(70673G)			85G	22.81" - 23.36"	170	3.94	408	ES3-12-550	ES1-12-380	ES3-12-550	
		70673P(70673P)			85P	22.81" - 23.36"	170	3.94	420	ES3-12-550	ES1-12-380	ES3-12-550	
					100G	25.56" - 26.00"	200	4.63	432	ES3-12-550	ES1-12-550	ES3-12-550	
					100P	25.56" - 26.00"	200	4.63	444	ES3-12-550	ES1-12-550	ES3-12-550	
		505879G(505879G)			125G	30.56" - 31.06"	250	5.79	624	ES3-12-550	ES1-12-550	ES3-12-550	
		505879P(505879P)			125P	30.56" - 31.06"	250	5.79	636	ES3-12-550	ES1-12-550	ES3-12-550	
		34.08" x 6.54"	25.40" x 8.63"										
7	Square Tube				E60S	18.44" - 18.56"	180	4.17	540	SES3-12-550	SES1-12-380	SES3-12-550	
					E75L	18.94" - 19.56"	225	5.21	444	ES3-12-550	ES1-12-380	ES3-12-550	
					75GL	18.94" - 19.56"	225	5.21	444	ES3-12-550	ES1-12-380	ES3-12-550	
		98293(98293)	83850(83850)		E75	22.69" - 23.36"	225	5.21	542	ES3-12-550	ES1-12-380	ES3-12-550	
		98293G(98293G)	83850G(83850G)		75G	22.69" - 23.36"	225	5.21	542	ES3-12-550	ES1-12-380	ES3-12-550	
		71392V(71392V)	74028V(74028V)		E80S	22.81" - 23.36"	240	5.56	612	SES3-12-550	SES1-12-550	SES3-12-550	
		71392(71392)	74028(74028)		E85	22.69" - 23.36"	255	5.91	552	ES3-12-550	ES1-12-550	ES3-12-550	
		71392D(71392D)	74028D(74028D)		E85D	22.81" - 23.36"	255	5.91	559	ES3-12-550	ES1-12-550	ES3-12-550	
		97513(97513)	97514(97514)		E100	22.69" - 23.36"	300	6.95	564	ES3-12-550	ES1-12-550	ES3-12-550	
		500280D(500280D)	504537D(504537D)		E100D	25.56" - 26.00"	300	6.95	588	ES3-12-550	ES1-12-550	ES3-12-550	
		97616(97616)	97617(97617)		E110	22.81" - 23.36"	330	7.64	576	ES3-12-550	ES1-12-550	ES3-12-550	
		504002V(504002V)	504792V(504792V)		E120S	30.56" - 31.06"	360	8.34	828	SES3-12-550	SES1-12-550	SES3-12-550	
		504002W(504002W)	504792W(504792W)		E125	30.56" - 31.06"	375	8.69	792	ES3-12-550	ES1-12-550	ES3-12-550	
		504002D(504002D)	504792D(504792D)		E125D	30.56" - 31.06"	375	8.69	792	ES3-12-550	ES1-12-550	ES3-12-550	
	504002L(504002L)	504792L(504792L)		E140	30.56" - 31.06"	420	9.73	816	ES3-12-680	ES1-12-680	ES3-12-680		
	504002S(504002S)	504792S(504792S)		E155	30.56" - 31.06"	465	10.77	828	ES3-12-680	ES1-12-680	ES3-12-680		
	Flat Plate	71392G(71392G)	74028G(74028G)		85G	22.81" - 23.36"	255	5.91	564	ES3-12-550	ES1-12-550	ES3-12-550	
		71392P(71392P)	74028P(74028P)		85P	22.81" - 23.36"	255	5.91	576	ES3-12-550	ES1-12-550	ES3-12-550	
		500280G(500280G)	99151G(99151G)		100G	25.56" - 26.00"	300	6.95	600	ES3-12-550	ES1-12-550	ES3-12-550	
		500280P(500280P)	99151P(99151P)		100P	25.56" - 26.00"	300	6.95	624	ES3-12-550	ES1-12-550	ES3-12-550	
		504002G(504002G)	504792G(504792G)		125G	30.56" - 31.06"	375	8.69	804	ES3-12-680	ES1-12-680	ES3-12-680	
		504002P(504002P)	504792P(504792P)		125P	30.56" - 31.06"	375	8.69	816	ES3-12-680	ES1-12-680	ES3-12-680	

(1) Also available are E28S (11.06"H), E45S (14.06"H), E55L (14.87"H), 55GL (14.87"H) and E60S (18.44"H)

(2) Caution: Weights may vary by +/-5%

* All batteries are standard layouts. Contact Sales for additional sizes and layouts

(3) If N/C and W/C are showing same part #, this designates a convertible [C] style tray. See "Typical Battery Configurations" at front of book for details.

(+) Indicates Recharge Times That May Exceed 8 Hours.

24 VOLT-12 CELL

Stand-up Rider and Narrow Aisle Truck Layouts

Plates Per Cell	Plate Type	(3) Standard Dimensions and Catalog Numbers N/C-(W/C)			Cell Type (1)	Height in Inches N/C - W/C	Capacity 6 Hr. Rate		Approx Weight (2) Pounds	Recommended Chargers		
		Length x Width	Length x Width	Length x Width			A.H.	KWH		Three Phase	Single Phase	Performance
		37.85" x 7.45"	25.66" x 11.03"	21.98" x 12.87"								
9	Square Tube		505669V(505669V)		E60S	18.44" - 18.56"	240	5.56	588	SES3-12-550	SES1-12-380	SES3-12-550
					E75L	18.94" - 19.56"	300	6.95	564	ES3-12-550	ES1-12-380	ES3-12-550
					75GL	18.94" - 19.56"	300	6.95	564	ES3-12-550	ES1-12-380	ES3-12-550
			80706(80706)		E75	22.69" - 23.36"	300	6.95	660	ES3-12-550	ES1-12-380	ES3-12-550
			80706G(80706G)		75G	22.69" - 23.36"	300	6.95	660	ES3-12-550	ES1-12-380	ES3-12-550
		69217V(69217V)	70836V(70836V)	502434V(502434V)	E80S	22.81" - 23.36"	320	7.41	780	SES3-12-550	SES1-12-380	SES3-12-550
		69217(69217)	70836(70836)	502434(502434)	E85	22.69" - 23.36"	340	7.87	672	ES3-12-550	ES1-12-380	ES3-12-550
		69217D(69217D)	70836D(70836D)	502434D(502434D)	E85D	22.81" - 23.36"	340	7.87	680	ES3-12-550	ES1-12-380	ES3-12-550
			70836L(70836L)		E100	22.69" - 23.36"	400	9.26	720	ES3-12-550	ES1-12-550	ES3-12-550
					E100D	25.56" - 26.00"	400	9.26	780	ES3-12-550	ES1-12-550	ES3-12-550
			501461(501461)		E110	22.81" - 23.36"	440	10.19	732	ES3-12-550	ES1-12-550	ES3-12-550
			503739V(503739V)		E120S	30.56" - 31.06"	480	11.12	1092	SES3-12-550	SES1-12-550	SES3-12-550
			503739W(503739W)		E125	30.56" - 31.06"	500	11.58	996	ES3-12-550	ES1-12-550	ES3-12-550
			503739D(503739D)		E125D	30.56" - 31.06"	500	11.58	996	ES3-12-550	ES1-12-550	ES3-12-550
			503739L(503739L)		E140	30.56" - 31.06"	560	12.97	1044	ES3-12-680	ES1-12-680	ES3-12-680
		503739S(503739S)		E155	30.56" - 31.06"	620	14.36	1056	ES3-12-680	ES1-12-680	ES3-12-680	
		69217G(69217G)	70836G(70836G)	502434G(502434G)	85G	22.81" - 23.36"	340	7.87	684	ES3-12-550	ES1-12-380	ES3-12-550
		69217P(69217P)	70836P(70836P)	502434P(502434P)	85P	22.81" - 23.36"	340	7.87	708	ES3-12-550	ES1-12-380	ES3-12-550
			500243G(500243G)		100G	25.56" - 26.00"	400	9.26	780	ES3-12-550	ES1-12-550	ES3-12-550
			500243P(500243P)		100P	25.56" - 26.00"	400	9.26	804	ES3-12-550	ES1-12-550	ES3-12-550
		504399G(504399G)	503739G(503739G)		125G	30.56" - 31.06"	500	11.58	1008	ES3-12-550	ES1-12-550	ES3-12-550
		504399P(504399P)	503739P(503739P)		125P	30.56" - 31.06"	500	11.58	1020	ES3-12-550	ES1-12-550	ES3-12-550
			37.82" x 8.95"	32.34" x 10.88"	26.26" x 12.77"							
	11	Square Tube				E60S	18.44" - 18.56"	300	6.95	696	SES3-12-550	SES1-12-380
500210(500210)			502179(502179)		E75L	18.94" - 19.56"	375	8.69	660	ES3-12-550	ES1-12-380	ES3-12-550
500210G(500210G)			502179G(502179G)		75GL	18.94" - 19.56"	375	8.69	660	ES3-12-550	ES1-12-380	ES3-12-550
501155			500901(500901)		E75	22.69" - 23.36"	375	8.69	732	ES3-12-550	ES1-12-380	ES3-12-550
501155G			500901G(500901G)		75G	22.69" - 23.36"	375	8.69	732	ES3-12-550	ES1-12-380	ES3-12-550
69094V(69094V)			87547V(87547V)	67336V(67336V)	E80S	22.81" - 23.36"	400	9.26	948	SES3-12-550	SES1-12-550	SES3-12-550
69094(69094)			87547(87547)	67336(67336)	E85	22.69" - 23.36"	425	9.84	828	ES3-12-550	ES1-12-550	ES3-12-550
69094D(69094D)			87547D(87547D)	67336D(67336D)	E85D	22.81" - 23.36"	425	9.84	838	ES3-12-550	ES1-12-550	ES3-12-550
			500122(500122)	97517(97517)	E100	22.69" - 23.36"	500	11.58	876	ES3-12-550	ES1-12-550	ES3-12-550
99563D(99563D)			98280D(98280D)	98394D(98394D)	E100D	25.56" - 26.00"	500	11.58	936	ES3-12-550	ES1-12-550	ES3-12-550
505162(505162)			(505441)	97622(97622)	E110	22.81" - 23.36"	550	12.74	888	ES3-12-550	ES1-12-550	ES3-12-550
505326V(505326V)			504104V(504104V)	503735V(503735V)	E120S	30.56" - 31.06"	600	13.90	1296	SES3-12-550	SES1-12-550	SES3-12-550
505326W(505326W)			504104W(504104W)	503735W(503735W)	E125	30.56" - 31.06"	625	14.48	1200	ES3-12-550	ES1-12-550	ES3-12-550
505326D(505326D)			504104D(504104D)	503735D(503735D)	E125D	30.56" - 31.06"	625	14.48	1200	ES3-12-550	ES1-12-550	ES3-12-550
505326L(505326L)			504104L(504104L)	503735L(503735L)	E140	30.56" - 31.06"	700	16.21	1260	ES3-12-680	ES1-12-680	ES3-12-680
505326S(505326S)		504104S(504104S)	503735S(503735S)	E155	30.56" - 31.06"	775	17.95	1284	ES3-12-680	ES1-12-680	ES3-12-680	
		69094G(69094G)	87547G(87547G)	67336G(67336G)	85G	22.81" - 23.36"	425	9.84	840	ES3-12-550	ES1-12-550	ES3-12-550
		69094P(69094P)	87547P(87547P)	67336P(67336P)	85P	22.81" - 23.36"	425	9.84	864	ES3-12-550	ES1-12-550	ES3-12-550
		99563G(99563G)	98280G(98280G)	98394G(98394G)	100G	25.56" - 26.00"	500	11.58	936	ES3-12-550	ES1-12-550	ES3-12-550
		99563P(99563P)	98280P(98280P)	98394P(98394P)	100P	25.56" - 26.00"	500	11.58	960	ES3-12-550	ES1-12-550	ES3-12-550
		504462G(504462G)	504104G(504104G)	503735G(503735G)	125G	30.56" - 31.06"	625	14.48	1212	ES3-12-680	ES1-12-680	ES3-12-680
		504462P(504462P)	504104P(504104P)	503735P(503735P)	125P	30.56" - 31.06"	625	14.48	1224	ES3-12-680	ES1-12-680	ES3-12-680

(1) Also available are E28S (11.06"H), E45S (14.06"H), E55L (14.87"H), and 55GL (14.87"H)

(2) Caution: Weights may vary by +/-5%

* All batteries are standard layouts. Contact Sales for additional sizes and layouts

(3) If N/C and W/C are showing same part #, this designates a convertible [C] style tray. See "Typical Battery Configurations" at front of book for details.

(+) Indicates Recharge Times That May Exceed 8 Hours.

24 VOLT-12 CELL

Stand-up Rider and Narrow Aisle Truck Layouts

Plates Per Cell	Plate Type	(3) Standard Dimensions and Catalog Numbers N/C-(W/C)			Cell Type (1)	Height in Inches		Capacity 6 Hr. Rate		Approx Weight (2)	Recommended Chargers		
		Length x Width	Length x Width	Length x Width		N/C - W/C	A.H.	KWH	Pounds		Three Phase	Single Phase	Performance
13	Square Tube	36.00" x 11.66"	30.68" x 12.74"	25.69" x 15.62"	E60S	18.44" - 18.56"	360	8.34	816	SES3-12-550	SES1-12-380	SES3-12-550	
					E75L	18.94" - 19.56"	450	10.42	804	ES3-12-550	ES1-12-550	ES3-12-550	
					75GL	18.94" - 19.56"	450	10.42	804	ES3-12-550	ES1-12-550	ES3-12-550	
		57834(57834)	57193(57193)	57840(57840)	E75	22.69" - 23.36"	450	10.42	888	ES3-12-550	ES1-12-550	ES3-12-550	
		57834G(57834G)	57193G(57193G)	57840G(57840G)	75G	22.69" - 23.36"	450	10.42	888	ES3-12-550	ES1-12-550	ES3-12-550	
		67268V(67268V)	66211V(66211V)	67395V(67395V)	E80S	22.81" - 23.36"	480	11.12	1116	SES3-12-550	SES1-12-550	SES3-12-550	
		67268(67268)	66211(66211)	67395(67395)	E85	22.69" - 23.36"	510	11.81	975	ES3-12-550	ES1-12-550	ES3-12-550	
		67268D(67268D)	66211D(66211D)	67395D(67395D)	E85D	22.81" - 23.36"	510	11.81	983	ES3-12-550	ES1-12-550	ES3-12-550	
		97519(97519)	97518(97518)		E100	22.69" - 23.36"	600	13.90	1032	ES3-12-680	ES1-12-680	ES3-12-680	
			98692D(98692D)		E100D	25.56" - 26.00"	600	13.90	1092	ES3-12-680	ES1-12-680	ES3-12-680	
			506663X (FC1) 506663X (FC2)		E100X	22.81" - 23.36"	600	13.90	1044				
		97627(97627)	97626(97626)		E110	22.81" - 23.36"	660	15.29	1056	ES3-12-680	ES1-12-680	ES3-12-680	
		503737V(503737V)	503736V(503736V)		E120S	30.56" - 31.06"	720	16.68	1500	SES3-12-750	SES1-12-750	SES3-12-750	
		503737W(503737W)	503736W(503736W)		E125	30.56" - 31.06"	750	17.37	1392	ES3-12-750	ES1-12-750	ES3-12-750	
		503737D(503737D)	503736D(503736D)		E125D	30.56" - 31.06"	750	17.37	1392	ES3-12-750	ES1-12-750	ES3-12-750	
		503737L(503737L)	503736L(503736L)		E140	30.56" - 31.06"	840	19.45	1440	ES3-12-850	ES1-12-850	ES3-12-850	
			506679X (FC1) 5066514X (FC2)		E140X	30.56" - 31.06"	840	19.45	1440				
		503737S(503737S)	503736S(503736S)		E155	30.56" - 31.06"	930	21.54	1452	ES3-12-950	ES1-12-850	ES3-12-950	
	67268G(67268G)	66211G(66211G)	67395G(67395G)	85G	22.81" - 23.36"	510	11.81	972	ES3-12-550	ES1-12-550	ES3-12-550		
	67268P(67268P)	66211P(66211P)	67395P(67395P)	85P	22.81" - 23.36"	510	11.81	996	ES3-12-550	ES1-12-550	ES3-12-550		
		506744P (FC1)		85PFC	22.81" - 23.36"	510	11.81	996					
	98484G(98484G)	98692G(98692G)	505768G(505768G)	100G	25.56" - 26.00"	600	13.90	1128	ES3-12-680	ES1-12-680	ES3-12-680		
	98484P(98484P)	98692P(98692P)	505768P(505768P)	100P	25.56" - 26.00"	600	13.90	1164	ES3-12-680	ES1-12-680	ES3-12-680		
	503737G(503737G)	503736G(503736G)	504163G	125G	30.56" - 31.06"	750	17.37	1416	ES3-12-750	ES1-12-750	ES3-12-750		
	503737P(503737P)	503736P(503736P)	504163P	125P	30.56" - 31.06"	750	17.37	1440	ES3-12-750	ES1-12-750	ES3-12-750		
		506949P (FC1)		125PFC	30.56" - 31.06"	750	17.37	1440					
		38.18" x 11.98"	35.18" x 12.86"	25.94" x 17.88"									
	15	Square Tube			502624	E60S	18.44" - 18.56"	420	9.73	948	SES3-12-550	SES1-12-550	SES3-12-850
94225(94225)				502624G	E75L	18.94" - 19.56"	525	12.16	948	ES3-12-550	ES1-12-550	ES3-12-850	
94225G(94225G)					75GL	18.94" - 19.56"	525	12.16	948	ES3-12-550	ES1-12-550	ES3-12-680	
			57836(57836)		E75	22.69" - 23.36"	525	12.16	1044	ES3-12-550	ES1-12-550	ES3-12-850	
			57836G(57836G)		75G	22.69" - 23.36"	525	12.16	1044	ES3-12-550	ES1-12-550	ES3-12-680	
			67651V(67651V)	67928V(67928V)	E80S	22.81" - 23.36"	560	12.97	1272	SES3-12-680	SES1-12-680	SES3-12-850	
			67651(67651)	67928(67928)	E85	22.69" - 23.36"	595	13.78	1116	ES3-12-680	ES1-12-680	ES3-12-850	
			67651D(67651D)	67928D(67928D)	E85D	22.81" - 23.36"	595	13.78	1130	ES3-12-680	ES1-12-680	ES3-12-850	
			97520(97520)		E100	22.69" - 23.36"	700	16.21	1188	ES3-12-750	ES1-12-750	ES3-12-850	
			97520D(97520D)	99153D(99153D)	E100D	25.56" - 26.00"	700	16.21	1272	ES3-12-750	ES1-12-750	ES3-12-850	
					E100X	22.81" - 23.36"	700	16.21	1200				
97631(97631)			97630(97630)		E110	22.81" - 23.36"	770	17.83	1212	ES3-12-850	ES1-12-850	ES3-12-850	
503753V(503753V)			503741V(503741V)		E120S	30.56" - 31.06"	840	19.45	1704	SES3-12-850	SES1-12-850	SES3-12-850	
503753W(503753W)			503741W(503741W)		E125	30.56" - 31.06"	875	20.27	1584	ES3-12-950	ES1-12-950	ES3-12-850	
503753D(503753D)		503741D(503741D)		E125D	30.56" - 31.06"	875	20.27	1584	ES3-12-950	ES1-12-950	ES3-12-850		
503753L(503753L)		503741L(503741L)		E140	30.56" - 31.06"	980	22.70	1632	ES3-12-10	ES1-12-10	ES3-12-850		
		506594X (FC1) 506620X (FC2)		E140X	30.56" - 31.06"	980	22.70	1632					
503753S(503753S)		503741S(503741S)		E155	30.56" - 31.06"	1085	25.13	1644	ES3-12-120	ES1-12-120	ES3-12-850		
506065G		67651G(67651G)	67928G(67928G)	85G	22.81" - 23.36"	595	13.78	1140	ES3-12-680	ES1-12-680	ES3-12-680		
502495P(502495P)		67651P(67651P)	67928P(67928P)	85P	22.81" - 23.36"	595	13.78	1164	ES3-12-680	ES1-12-680	ES3-12-680		
		506876P (FC1)		85PFC	22.81" - 23.36"	595	13.78	1164					
501407G(501407G)		98380G(98380G)	99153G(99153G)	100G	25.56" - 26.00"	700	16.21	1320	ES3-12-750	ES1-12-750	ES3-12-850		
501407P(501407P)	98380P(98380P)	99153P(99153P)	100P	25.56" - 26.00"	700	16.21	1368	ES3-12-750	ES1-12-750	ES3-12-850			
503720G(503753G)	503741G(503741G)		125G	30.56" - 31.06"	875	20.27	1608	ES3-12-950	ES1-12-950	ES3-12-850			
503720P(503753P)	503741P(503741P)		125P	30.56" - 31.06"	875	20.27	1632	ES3-12-950	ES1-12-950	ES3-12-850			
			125PFC	30.56" - 31.06"	875	20.27	1632						

(1) Also available are E28S (11.06"H), E45S (14.06"H), E55L (14.87"H), and 55GL (14.87"H)

(2) Caution: Weights may vary by +/-5%

* All batteries are standard layouts. Contact Sales for additional sizes and layouts

(3) If N/C and W/C are showing same part #, this designates a convertible [C] style tray. See "Typical Battery Configurations" at front of book for details.

(+) Indicates Recharge Times That May Exceed 8 Hours.

24 VOLT-12 CELL

Stand-up Rider and Narrow Aisle Truck Layouts

Plates Per Cell	Plate Type	(3) Standard Dimensions and Catalog Numbers N/C-(W/C)			Cell Type (1)	Height in Inches	Capacity 6 Hr. Rate		Approx Weight (2)	Recommended Chargers		
		Length x Width	Length x Width	Length x Width			A.H.	KWH		Pounds	Three Phase	Single Phase
21	Square Tube	38.33" x 16.45"	32.75" x 19.46"	26.06" x 24.71"	E60S	18.44" - 18.56"	600	13.90	1332	SES3-12-680	SES1-12-680	SES3-12-680
					E75L	18.94" - 19.56"	750	17.37	1320	ES3-12-850	ES1-12-850	EH3-12-900
					75GL	18.94" - 19.56"	750	17.37	1320	ES3-12-850	ES1-12-850	EH3-12-900
		501126	58117(500189)		E75	22.69" - 23.36"	750	17.37	1464	ES3-12-850	ES1-12-850	EH3-12-900
		501126G	58117G(500189G)		75G	22.69" - 23.36"	750	17.37	1464	ES3-12-850	ES1-12-850	EH3-12-900
		85158V	67802V(67802V)	73617V	E80S	22.81" - 23.36"	800	18.53	1776	SES3-12-850	SES1-12-850	SES3-12-850
		85158	67802(67802)	73617	E85	22.69" - 23.36"	850	19.69	1560	ES3-12-850	ES1-12-850	EH3-12-900
		85158D	67802D(67802D)	73617D	E85D	22.81" - 23.36"	850	19.69	1579	ES3-12-850	ES1-12-850	EH3-12-900
		97532(97533)	97528(97529)	97530(97531)	E100	22.69" - 23.36"	1000	23.16	1680	ES3-12-1050	N/A	EH3-12-1200
					E100D	25.56" - 26.00"	1000	23.16	1740	ES3-12-1050	N/A	EH3-12-1200
					E100X	22.81" - 23.36"	1000	23.16	1698			
		97650(97650)	(97646)	97648(97648)	E110	22.81" - 23.36"	1100	25.48	1716	ES3-12-1200	N/A	EH3-12-1200
					E120S	30.56" - 31.06"	1200	27.79	2328	SES3-12-1200	N/A	SES3-12-1200
					E125	30.56" - 31.06"	1250	28.95	2208	ES3-12-1500	N/A	EH3-12-1600
					E125D	30.56" - 31.06"	1250	28.95	2208	ES3-12-1500	N/A	EH3-12-1600
				E140	30.56" - 31.06"	1400	32.42	2292	ES3-12-1500	N/A	EH3-12-1600	
				E140X	30.56" - 31.06"	1400	32.42	2292				
				E155	30.56" - 31.06"	1550	35.90	2316	ES3-12-1500	N/A	EH3-12-1600	
		501116G	67802G (98339G)	85G	22.81" - 23.36"	850	19.69	1572	ES3-12-850	ES1-12-850	EH3-12-900	
		501116P	67802P (98339P)	85P	22.81" - 23.36"	850	19.69	1596	ES3-12-850	ES1-12-850	EH3-12-900	
			85PFC	22.81" - 23.36"	850	19.69	1596					
	98152G(502438G)	500042G	100G	25.56" - 26.00"	1000	23.16	1800	ES3-12-1050	N/A	EH3-12-1200		
	98152P(502438P)	500042P	100P	25.56" - 26.00"	1000	23.16	1872	ES3-12-1050	N/A	EH3-12-1200		
	(504685G)		125G	30.56" - 31.06"	1250	28.95	2244	ES3-12-1500	N/A	EH3-12-1600		
	(504685P)		125P	30.56" - 31.06"	1250	28.95	2328	ES3-12-1500	N/A	EH3-12-1600		
			125PFC	30.56"-31.06"	1250	28.95	2328					
	38.66" x 18.09"	35.78" x 19.22"	27.02" x 25.93"									
23	Square Tube				E60S	18.44" - 18.56"	660	15.29	1452	SES3-12-680	SES1-12-680	SES3-12-680
					E75L	18.94" - 19.56"	825	19.11	1452	ES3-12-850	ES1-12-850	EH3-12-900
					75GL	18.94" - 19.56"	825	19.11	1452	ES3-12-850	ES1-12-850	EH3-12-900
		501406(501406)	59259	61923(97309)	E75	22.69" - 23.36"	825	19.11	1608	ES3-12-850	ES1-12-850	EH3-12-900
		501406G(501406G)	59259G	61923G(97309G)	75G	22.69" - 23.36"	825	19.11	1608	ES3-12-850	ES1-12-850	EH3-12-900
		85777V(85777V)	502257V		E80S	22.81" - 23.36"	880	20.38	1932	SES3-12-950	SES1-12-850	SES3-12-950
		85777(85777)	502257	73121	E85	22.69" - 23.36"	935	21.65	1716	ES3-12-950	N/A	EH3-12-1200
		85777D(85777D)	502257D	73121D	E85D	22.81" - 23.36"	935	21.65	1736	ES3-12-950	N/A	EH3-12-1200
			97534(97535)	73121	E100	22.69" - 23.36"	1100	25.48	1824	ES3-12-1200	N/A	EH3-12-1200
					E100D	25.56" - 26.00"	1100	25.48	1932	ES3-12-1200	N/A	EH3-12-1200
				E100X	22.81" - 23.36"	1100	25.48	1841				
		97652(97652)		E110	22.81" - 23.36"	1210	28.02	1860	ES3-12-1500	N/A	EH3-12-1600	
		94522G(501807G)	73121G(504533G)	85G	22.81" - 23.36"	1020	23.62	1728	ES3-12-1050	N/A	EH3-12-1200	
		94522P(501807P)	73121P(504533P)	85P	22.81" - 23.36"	1020	23.62	1752	ES3-12-1050	N/A	EH3-12-1200	
				85PFC	22.81" - 23.36"	1020	23.62	1752				
			100G	25.56" - 26.00"	1200	27.79	1956	ES3-12-1200	N/A	EH3-12-1200		
			100P	25.56" - 26.00"	1200	27.79	2016	ES3-12-1200	N/A	EH3-12-1200		

(1) Also available are E28S (11.06"H), E45S (14.06"H), E55L (14.87"H), and 55GL (14.87"H)

(2) Caution: Weights may vary by +/-5%

* All batteries are standard layouts. Contact Sales for additional sizes and layouts

(3) If N/C and W/C are showing same part #, this designates a convertible [C] style tray. See "Typical Battery Configurations" at front of book for details.

(+) Indicates Recharge Times That May Exceed 8 Hours.

24 VOLT-12 CELL

Stand-up Rider and Narrow Aisle Truck Layouts

Plates Per Cell	Plate Type	(3) Standard Dimensions and Catalog Numbers N/C-(W/C)			Cell Type (1)	Height in Inches	Capacity 6 Hr. Rate		Approx Weight (2)	Recommended Chargers		
		Length x Width	Length x Width	Length x Width			A.H.	KWH		Pounds	Three Phase	Single Phase
25	Square Tube	38.50" x 19.58"	29.42" x 25.93"		E60S	18.44" - 18.56"	720	16.68	1584	SES3-12-750	SES1-12-850	SES3-12-750
					E75L	18.94" - 19.56"	900	20.84	1560	ES3-12-950	ES1-12-850+	EH3-12-900
					75GL	18.94" - 19.56"	900	20.84	1560	ES3-12-950	ES1-12-850+	EH3-12-900
		93550	500165(500164)		E75	22.69" - 23.36"	900	20.84	1740	ES3-12-950	ES1-12-850+	EH3-12-900
		93550G	500165G(500164G)		75G	22.69" - 23.36"	900	20.84	1740	ES3-12-950	ES1-12-850+	EH3-12-900
		85166V	(96053V)		E80S	22.81" - 23.36"	960	22.23	2088	SES3-12-1050	ES1-12-850+	SES3-12-1050
		85166	(96053)		E85	22.69" - 23.36"	1020	23.62	1872	ES3-12-1050	ES1-12-850+	EH3-12-1200
		85166D	(96053D)		E85D	22.81" - 23.36"	1020	23.62	1895	ES3-12-1050	ES1-12-850+	EH3-12-1200
		97536(97537)			E100	22.69" - 23.36"	1200	27.79	1992	ES3-12-1200	N/A	EH3-12-1200
		98685D			E100D	25.56" - 26.00"	1200	27.79	2100	ES3-12-1200	N/A	EH3-12-1200
				E100X	22.81"-23.36"	1200	27.79	2007				
	97654(97654)			E110	22.81" - 23.36"	1320	30.57	2028	ES3-12-1500	N/A	EH3-12-1600	
	85166G	71714G(96053G)		85G	22.81" - 23.36"	1020	23.62	1896	ES3-12-1050	ES1-12-850+	EH3-12-1200	
	85166P	71714P(96053P)		85P	22.81" - 23.36"	1020	23.62	1908	ES3-12-1050	ES1-12-850+	EH3-12-1200	
				85PFC	22.81"-23.36"	1020	23.62	1908				
				100G	25.56" - 26.00"	1200	27.79	2136	ES3-12-1200	N/A	EH3-12-1200	
				100P	25.56" - 26.00"	1200	27.79	2208	ES3-12-1200	N/A	EH3-12-1200	
			38.33" x 21.01"	32.00" x 25.90"								
27	Square Tube				E60S	18.44" - 18.56"	780	18.06	1728	SES3-12-850	SES1-12-850	SES3-12-850
					E75L	18.94" - 19.56"	975	22.58	1716	ES3-12-1050	ES1-12-850+	EH3-12-1200
					75GL	18.94" - 19.56"	975	22.58	1716	ES3-12-1050	ES1-12-850+	EH3-12-1200
		85161(501112)			E75	22.69" - 23.36"	975	22.58	1896	ES3-12-1050	ES1-12-850+	EH3-12-1200
		85161G(501112G)			75G	22.69" - 23.36"	975	22.58	1896	ES3-12-1050	ES1-12-850+	EH3-12-1200
		85167V	502616V(85990V)		E80S	22.81" - 23.36"	1040	24.09	2244	SES3-12-1050	N/A	SES3-12-1050
		85167	502616(85990)		E85	22.69" - 23.36"	1105	25.59	2016	ES3-12-1200	N/A	EH3-12-1200
		85167D	502616D(85990D)		E85D	22.81" - 23.36"	1105	25.59	2040	ES3-12-1200	N/A	EH3-12-1200
		500422	502687(501175)		E100	22.69" - 23.36"	1300	30.11	2160	ES3-12-1500	N/A	EH3-12-1600
					E100D	25.56" - 26.00"	1300	30.11	2268	ES3-12-1500	N/A	EH3-12-1600
	500794(500794)			E110	22.81" - 23.36"	1430	33.12	2208	ES3-12-1500	N/A	EH3-12-1600	
	85167G			85G	22.81" - 23.36"	1105	25.59	2052	ES3-12-1200	N/A	EH3-12-1200	
	85167P			85P	22.81" - 23.36"	1105	25.59	2064	ES3-12-1200	N/A	EH3-12-1200	
				100G	25.56" - 26.00"	1300	30.11	2340	ES3-12-1500	N/A	EH3-12-1600	
				100P	25.56" - 26.00"	1300	30.11	2424	ES3-12-1500	N/A	EH3-12-1600	

(1) Also available are E28S (11.06"H), E45S (14.06"H), E55L (14.87"H), and 55GL (14.87"H)

(2) Caution: Weights may vary by +/-5%

* All batteries are standard layouts. Contact Sales for additional sizes and layouts

(3) If N/C and W/C are showing same part #, this designates a convertible [C] style tray. See "Typical Battery Configurations" at front of book for details.

(+) Indicates Recharge Times That May Exceed 8 Hours.

24 VOLT-12 CELL

Stand-up Rider and Narrow Aisle Truck Layouts

Plates Per Cell	Plate Type	(3) Standard Dimensions and Catalog Numbers N/C-(W/C)			Cell Type (1)	Height in Inches N/C - W/C	Capacity		Approx Weight (2) Pounds	Recommended Chargers			
		Length x Width	Length x Width	Length x Width			6 Hr. Rate			Three Phase	Single Phase	Performance	
		38.68" x 22.58"	33.93" x 25.79"				A.H.	KWH					
29	Square Tube				E60S	18.44" - 18.56"	840	19.45	1860	SES3-12-850	SES1-12-850	SES3-12-850	
					E75L	18.94" - 19.56"	1050	24.32	1848	ES3-12-1050	N/A	EH3-12-1200	
					75GL	18.94" - 19.56"	1050	24.32	1848	ES3-12-1050	N/A	EH3-12-1200	
		(501595)			E75	22.69" -23.36"	1050	24.32	2052	ES3-12-1050	N/A	EH3-12-1200	
		(501595G)			75G	22.69" -23.36"	1050	24.32	2052	ES3-12-1050	N/A	EH3-12-1200	
					E80S	22.81" - 23.36"	1120	25.94	2400	SES3-12-1200	N/A	SES3-12-1200	
					E85	22.69" - 23.36"	1190	27.56	2184	ES3-12-1200	N/A	EH3-12-1200	
					E85D	22.81" - 23.36"	1190	27.56	2210	ES3-12-1200	N/A	EH3-12-1200	
					E100	22.69" - 23.36"	1400	32.42	2340	ES3-12-1500	N/A	EH3-12-1600	
					E100D	25.56" - 26.00"	1400	32.42	2448	ES3-12-1500	N/A	EH3-12-1600	
	501003(501003)			E110	22.81" - 23.36"	1540	35.67	2388	ES3-12-1500	N/A	EH3-12-1600		
		Flat				85G	22.81" -23.36"	1190	27.56	2196	ES3-12-1200	N/A	EH3-12-1200
						85P	22.81" -23.36"	1190	27.56	2220	ES3-12-1200	N/A	EH3-12-1200
						100G	25.56" - 26.00"	1400	32.42	2484	ES3-12-1500	N/A	EH3-12-1600
						100P	25.56" - 26.00"	1400	32.42	2580	ES3-12-1500	N/A	EH3-12-1600
			38.33" x 24.12"	35.93" x 25.68"									
31	Square Tube				E60S	18.44" - 18.56"	900	20.84	1956	SES3-12-950	SES1-12-850+	SES3-12-950	
					E75L	18.94" - 19.56"	1125	26.06	1940	ES3-12-1200	N/A	EH3-12-1200	
					75GL	18.94" - 19.56"	1125	26.06	1940	ES3-12-1200*	N/A	EH3-12-1200	
					E75	22.69" -23.36"	1125	26.06	2172	ES3-12-1200	N/A	EH3-12-1200	
					75G	22.69" -23.36"	1125	26.06	2172	ES3-12-1200	N/A	EH3-12-1200	
					E80S	22.81" - 23.36"	1200	27.79	2556	SES3-12-1200	N/A	SES3-12-1200	
					E85	22.69" - 23.36"	1275	29.53	2304	ES3-12-1500	N/A	EH3-12-1600	
					E85D	22.81" - 23.36"	1275	29.53	2332	ES3-12-1500	N/A	EH3-12-1600	
					E100	22.69" - 23.36"	1500	34.74	2472	ES3-12-1500	N/A	EH3-12-1600	
					E100D	25.56" - 26.00"	1500	34.74	2628	ES3-12-1500	N/A	EH3-12-1600	
				E110	22.81" - 23.36"	1650	38.21	2520	ES3-12-1500+	N/A	EH3-12-1600+		
		Flat				85G	22.81" -23.36"	1275	29.53	2328	ES3-12-1500	N/A	EH3-12-1200
						85P	22.81" -23.36"	1275	29.53	2352	ES3-12-1500	N/A	EH3-12-1600
						100G	25.56" - 26.00"	1500	34.74	2640	ES3-12-1500	N/A	EH3-12-1600
						100P	25.56" - 26.00"	1500	34.74	2736	ES3-12-1500	N/A	EH3-12-1600

(1) Also available are E28S (11.06"H), E45S (14.06"H), E55L (14.87"H), and 55GL (14.87"H)

(2) Caution: Weights may vary by +/-5%

* All batteries are standard layouts. Contact Sales for additional sizes and layouts

(3) If N/C and W/C are showing same part #, this designates a convertible [C] style tray. See "Typical Battery Configurations" at front of book for details.

(+) Indicates Recharge Times That May Exceed 8 Hours.

24 VOLT-12 CELL

Stand-up Rider and Narrow Aisle Truck Layouts

Plates Per Cell	Plate Type	(3) Standard Dimensions and Catalog Numbers N/C-(W/C)			Cell Type (1)	Height in Inches N/C - W/C	Capacity 6 Hr. Rate		Approx Weight (2) Pounds	Recommended Chargers		
		Length x Width	Length x Width	Length x Width			A.H.	KWH		Three Phase	Single Phase	Performance
33	Square Tube	38.33" x 25.45"			E60S	18.44" - 18.56"	960	22.23	2052	SES3-12-1050	SES1-12-850+	SES3-12-1050
					E75L	18.94" - 19.56"	1200	27.79	2052	ES3-12-1200	N/A	ES3-12-1200
					75GL	18.94" - 19.56"	1200	27.79	2052	ES3-12-1200	N/A	ES3-12-1200
		500825(501594)			E75	22.69" -23.36"	1200	27.79	2280	ES3-12-1200	N/A	ES3-12-1200
		500825G(501594G)			75G	22.69" -23.36"	1200	27.79	2280	ES3-12-1200	N/A	ES3-12-1200
					E80S	22.81" - 23.36"	1280	29.64	2760	SES3-12-1500	N/A	SES3-12-1500
					E85	22.69" - 23.36"	1360	31.50	2424	ES3-12-1500	N/A	ES3-12-1500
					E85D	22.81" - 23.36"	1360	31.50	2454	ES3-12-1500	N/A	ES3-12-1500
					E100	22.69" - 23.36"	1600	37.06	2592	ES3-12-1500+	N/A	EH3-12-1600
					E100D	25.56" - 26.00"	1600	37.06	2808	ES3-12-1500+	N/A	EH3-12-1600
					E110	22.81" - 23.36"	1760	40.76	2640	ES3-12-1500+	N/A	N/A
		Flat				85G	22.81" -23.36"	1360	31.50	2472	ES3-12-1500	N/A
					85P	22.81" -23.36"	1360	31.50	2508	ES3-12-1500	N/A	EH3-12-1600
					100G	25.56" - 26.00"	1600	37.06	2820	ES3-12-1500+	N/A	EH3-12-1600
					100P	25.56" - 26.00"	1600	37.06	2928	ES3-12-1500+	N/A	EH3-12-1600

36 VOLT-18 CELL

Sit-down Rider and Stand-up Center Control Layouts

Plates Per Cell	Plate Type	(3) Standard Dimensions and Catalog Numbers N/C-(W/C)			Cell Type (1)	Height in Inches N/C - W/C	Capacity 6 Hr. Rate		Approx Weight (2) Pounds	Recommended Chargers			
		Length x Width	Length x Width	Length x Width			A.H.	KWH		Three Phase	Single Phase	Performance	
9	Square Tube	38.28" x 11.15"		22.12" x 19.19"	E60S	18.44" - 18.56"	240	8.34	882	SES3-18-550	SES1-18-600	SES3-18-550	
				500416V	E75L	18.94" - 19.56"	300	10.42	846	ES3-18-550	ES1-18-600	ES3-18-550	
				500416G	75GL	18.94" - 19.56"	300	10.42	846	SES3-18-550	ES1-18-600	ES3-18-550	
		85912			E75	22.69" -23.36"	300	10.42	990	ES3-18-550	ES1-18-600	ES3-18-550	
		85912G			75G	22.69" -23.36"	300	10.42	990	ES3-18-550	ES1-18-600	ES3-18-550	
		78409V(502215V)		500631V	E80S	22.81" - 23.36"	320	11.12	1170	SES3-18-550	SES1-18-600	SES3-18-550	
		78409(502215)		500631	E85	22.69" - 23.36"	340	11.81	1008	ES3-18-550	ES1-18-600	ES3-18-550	
		78409D(502215D)		500631D	E85D	22.81" - 23.36"	340	11.81	1021	ES3-18-550	ES1-18-600	ES3-18-550	
		97538(97539)			E100	22.69" - 23.36"	400	13.90	1080	ES3-18-550	ES1-18-600	ES3-18-550	
					E100D	25.56" - 26.00"	400	13.90	1170	ES3-18-550	ES1-18-600	ES3-18-550	
		97656(97656)	502107	(500730)	E110	22.81" - 23.36"	440	15.29	1098	ES3-18-550	ES1-18-600	ES3-18-550	
		504016V(504688V)			E120S	30.56" - 31.06"	480	16.68	1638	SES3-18-550	SES1-18-600	SES3-18-550	
		504016W(504688W)			E125	30.56" - 31.06"	500	17.37	1494	ES3-18-550	ES1-18-600	EH3-18-1200	
		504016D(504688D)			E125D	30.56" - 31.06"	500	17.37	1494	ES3-18-550	ES1-18-600	EH3-18-1200	
		504016L(504688L)			E140	30.56" - 31.06"	560	19.45	1566	ES3-18-550	ES1-18-600	EH3-18-1200	
		504016S(504688S)			E155	30.56" - 31.06"	620	21.54	1584	ES3-18-680	ES1-18-800	EH3-18-1200	
		Flat Plate	78409G		502348G	85G	22.81" -23.36"	340	11.81	1026	ES3-18-550	ES1-18-600	ES3-18-550
			78409P		502348P	85P	22.81" -23.36"	340	11.81	1062	ES3-18-550	ES1-18-600	ES3-18-550
	503344G(503344G)		98430G(98430G)		100G	25.56" - 26.00"	400	13.90	1170	ES3-18-550	ES1-18-600	ES3-18-550	
	503344P(503344P)		98430P(98430P)		100P	25.56" - 26.00"	400	13.90	1206	ES3-18-550	ES1-18-600	ES3-18-550	
	504016G(504695G)			(504696G)	125G	30.56" - 31.06"	500	17.37	1512	ES3-18-550	ES1-18-600	EH3-18-1200	
	504016P(504695P)			(504696P)	125P	30.56" - 31.06"	500	17.37	1530	ES3-18-550	ES1-18-600	EH3-18-1200	

(1) Also available are E28S (11.06"H), E45S (14.06"H), E55L (14.87"H), and 55GL (14.87"H)

(2) Caution: Weights may vary by +/-5%

* All batteries are standard layouts. Contact Sales for additional sizes and layouts

(3) If N/C and W/C are showing same part #, this designates a convertible [C] style tray. See "Typical Battery Configurations" at front of book for details.

(+) Indicates Recharge Times That May Exceed 8 Hours.

36 VOLT-18 CELL

Sit-down Rider and Stand-up Center Control Layouts

Plates Per Cell	Plate Type	(3) Standard Dimensions and Catalog Numbers N/C-(W/C)			Cell Type (1)	Height in Inches	Capacity		Approx Weight (2)	Recommended Chargers				
		Length x Width	Length x Width	Length x Width			6 Hr. Rate	A.H.		KWH	Pounds	Three Phase	Single Phase	Performance
		38.05" x 13.37"	30.97" x 17.25"	26.64" x 19.28"			N/C - W/C	A.H.		KWH	Pounds	Three Phase	Single Phase	Performance
11	SquareTube			(500501V)	E60S	18.44" - 18.56"	300	10.42	1044	SES3-18-550	SES1-18-600	SES3-18-550		
				(500501)	E75L	18.94" - 19.56"	375	13.03	996	ES3-18-550	ES1-18-600	EH3-18-550		
				(500501G)	75GL	18.94" - 19.56"	375	13.03	996	SES3-18-550	ES1-18-600	SES3-18-550		
		58440(500188)		60865(70977)	E75	22.69" - 23.36"	375	13.03	1098	ES3-18-550	ES1-18-600	ES3-18-550		
		58440G(500188G)		60865G(70977G)	E75G	22.69" - 23.36"	375	13.03	1098	ES3-18-550	ES1-18-600	ES3-18-550		
		68395V(71469V)		73794V(68010V)	E80S	22.81" - 23.36"	400	13.90	1422	SES3-18-550	SES1-18-600	SES3-18-550		
		68395(71469)		73794(68010)	E85	22.69" - 23.36"	425	14.76	1242	ES3-18-550	ES1-18-600	ES3-18-550		
		68395D(71469D)		73794D(68010D)	E85D	22.81" - 23.36"	425	14.76	1256	ES3-18-550	ES1-18-600	ES3-18-550		
		97542(97543)	505400	97540(97541)	E100	22.69" - 23.36"	500	17.37	1314	ES3-18-550	ES1-18-600	EH3-18-1200		
					E100D	25.56" - 26.00"	500	17.37	1404	ES3-18-550	ES1-18-600	EH3-18-1200		
		97660(97660)		97658(97658)	E110	22.81" - 23.36"	550	19.11	1332	ES3-18-550	ES1-18-600	EH3-18-1200		
		503742V(504156V)		503756V	E120S	30.56" - 31.06"	600	20.84	1944	SES3-18-680	SES1-18-600	SES3-18-680		
		503742W(504156W)		503756W	E125	30.56" - 31.06"	625	21.71	1800	ES3-18-680	ES1-18-800	EH3-18-1200		
		503742D(504156D)		503756D	E125D	30.56" - 31.06"	625	21.71	1800	ES3-18-680	ES1-18-800	EH3-18-1200		
		503742L(504156L)		503756L	E140	30.56" - 31.06"	700	24.32	1890	ES3-18-750	ES1-18-800	EH3-18-1200		
		503742S(504156S)		503756S	E155	30.56" - 31.06"	775	26.92	1926	ES3-18-850	ES1-18-800	EH3-18-1200		
		68395G(71469G)	501587G	73794G(502002G)	85G	22.81" - 23.36"	425	14.76	1260	ES3-18-550	ES1-18-600	ES3-18-550		
		68395P(71469P)	501587P	73794P(502002P)	85P	22.81" - 23.36"	425	14.76	1296	ES3-18-550	ES1-18-600	ES3-18-550		
	500321G(500520G)	502160G	500350G	100G	25.56" - 26.00"	500	17.37	1404	ES3-18-550	ES1-18-600	EH3-18-1200			
	500321P(500520P)	502160P	500350P	100P	25.56" - 26.00"	500	17.37	1440	ES3-18-550	ES1-18-600	EH3-18-1200			
	503742G(504156G)		503756G	125G	30.56" - 31.06"	625	21.71	1818	ES3-18-680	ES1-18-600+	EH3-18-1200			
	503742P(504156P)		503756P	125P	30.56" - 31.06"	625	21.71	1836	ES3-18-680	ES1-18-600+	EH3-18-1200			
			37.97" x 15.62"	31.13" x 19.19"	25.69" x 24.18"									
13	SquareTube	91135V(93734V)	91163V(500990V)	(505058V)	E60S	18.44" - 18.56"	360	12.51	1224	SES3-18-550	SES1-18-600	SES3-18-550		
		91135(93734)	91163(500990)	(505058)	E75L	18.94" - 19.56"	450	15.63	1206	ES3-18-550	ES1-18-600	EH3-18-1200		
		91135G(93734G)	91163G(500990G)	(505058G)	75GL	18.94" - 19.56"	450	15.63	1206	ES3-18-550	ES1-18-600	EH3-18-1200		
		82538(71326)	57177	69847(79521)	E75	22.69" - 23.36"	450	15.63	1332	ES3-18-550	ES1-18-600	EH3-18-1200		
		82538G(71326G)	57177G	69847G(79521G)	75G	22.69" - 23.36"	450	15.63	1332	ES3-18-550	ES1-18-600	EH3-18-1200		
		68677V(71345V)	66343V(66324V)	67279V(70415V)	E80S	22.81" - 23.36"	480	16.68	1674	SES3-18-550	SES1-18-600	SES3-18-550		
		68677(71345)	66343(66324)	67279(70415)	E85	22.69" - 23.36"	510	17.72	1404	ES3-18-550	ES1-18-600	EH3-18-1200		
		68677D(71345D)	66343D(66324D)	67279D(70415D)	E85D	22.81" - 23.36"	510	17.72	1474	ES3-18-550	ES1-18-600	EH3-18-1200		
		97546(97547)	97544(97545)	97548(97549)	E100	22.69" - 23.36"	600	20.84	1548	ES3-18-680	ES1-18-600	EH3-18-1200		
					E100D	25.56" - 26.00"	600	20.84	1638	ES3-18-680	ES1-18-600	EH3-18-1200		
					E100X	22.81" - 23.36"	600	20.84	1566					
		97670(97670)	97668(97668)	97672(97672)	E110	22.81" - 23.36"	660	22.93	1584	ES3-18-680	ES1-18-800	EH3-18-1200		
		503743V(504756V)	504292V	504887V	E120S	30.56" - 31.06"	720	25.01	2250	SES3-18-750	SES1-18-800	SES3-18-750		
		503743W(504756W)	504292W	504887W	E125	30.56" - 31.06"	750	26.06	2088	ES3-18-750	ES1-18-800	EH3-18-1200		
		503743D(504041D)	504292D	504887D	E125D	30.56" - 31.06"	750	26.06	2088	ES3-18-750	ES1-18-800	EH3-18-1200		
		503743L(504756L)	504292L	504887L	E140	30.56" - 31.06"	840	29.18	2160	ES3-18-850	ES1-18-800+	EH3-18-1200		
		506559X (FC1)/506563X(FC2)		506909X (FC2)	E140X	30.56" - 31.06"	840	29.18	2160					
		503743S(504756S)	504292S	504887S	E155	30.56" - 31.06"	930	32.31	2178	ES3-18-950	ES1-18-800+	EH3-18-1200		
	68677G(71345G)	66343G(66324G)	67279G(70415G)	85G	22.81" - 23.36"	510	17.72	1458	ES3-18-550	ES1-18-600	EH3-18-1200			
	68677P(71345P)	66343P(66324P)	67279P(70415P)	85P	22.81" - 23.36"	510	17.72	1494	ES3-18-550	ES1-18-600	EH3-18-1200			
				85PFC	22.81" - 23.36"	510	17.72	1494						
	98631G(500973G)	504616G(500762G)		100G	25.56" - 26.00"	600	20.84	1692	ES3-18-550	ES1-18-600	EH3-18-1200			
	98631P(500973P)	504616P(500762P)		100P	25.56" - 26.00"	600	20.84	1796	ES3-18-550	ES1-18-600	EH3-18-1200			
	503743G(504041G)	504292G	504887G	125G	30.56" - 31.06"	750	26.06	2124	ES3-18-850	ES1-18-800	EH3-18-1200			
503743P(504041P)	504292P	504887P	125P	30.56" - 31.06"	750	26.06	2160	ES3-18-850	ES1-18-800	EH3-18-1200				
			125PFC	30.56" - 31.06"	750	26.06	2160							

(1) Also available are E28S (11.06"H), E45S (14.06"H), E55L (14.87"H), and 55GL (14.87"H)

(2) Caution: Weights may vary by +/-5%

(3) If N/C and W/C are showing same part #, this designates a convertible [C] style tray. See "Typical Battery Configurations" at front of book for details.

(+) Indicates Recharge Times That May Exceed 8 Hours.

* All batteries are standard layouts. Contact Sales for additional sizes and layouts

36 VOLT-18 CELL

Sit-down Rider and Stand-up Center Control Layouts

Plates Per Cell	Plate Type	(3) Standard Dimensions and Catalog Numbers N/C-(W/C)			Cell Type (1)	Height in Inches		Capacity 6 Hr. Rate		Approx Weight (2)	Recommended Chargers			
		Length x Width	Length x Width	Length x Width		N/C - W/C	A.H.	KWH	Pounds		Three Phase	Single Phase	Performance	
15	Square Tube	38.33" x 17.75"	35.33" x 19.22"	31.93" x 23.72"										
		500578V	501530V(97216V)	93186V(90915V)	E60S	18.44" - 18.56"	420	14.59	1422	SES3-18-550	SES1-18-600	SES3-18-550		
		500578	501530(97216)	93186(90915)	E75L	18.94" - 19.56"	525	18.24	1422	ES3-18-550	ES1-18-600	EH3-18-1200		
		500578G	501530G(97216G)	93186G(90915G)	75GL	18.94" - 19.56"	525	18.24	1422	SES3-18-550	ES1-18-600	EH3-18-1200		
		57178(59800)	77012(59822)	73928(61208)	E75	22.69" - 23.36"	525	18.24	1566	ES3-18-550	ES1-18-600	EH3-18-1200		
		57178G(59800G)	77012G(59822G)	73928G(61208G)	75G	22.69" - 23.36"	525	18.24	1566	SES3-18-550	ES1-18-600	EH3-18-1200		
		68394V(72442V)	76120V(71464V)	73639V(71297V)	E80S	22.81" - 23.36"	560	19.45	1908	SES3-18-680	SES1-18-600	SES3-18-680		
		68394(72442)	76120(71464)	73639(71297)	E85	22.69" - 23.36"	595	20.67	1674	ES3-18-680	ES1-18-600	EH3-18-1200		
		68394D(72442D)	76120D(71464D)	73639D(71297D)	E85D	22.81" - 23.36"	595	20.67	1696	ES3-18-680	ES1-18-600	EH3-18-1200		
		97552(97553)	97554(97555)	97550(97551)	E100	22.69" - 23.36"	700	24.32	1782	ES3-18-750	ES1-18-800	EH3-18-1200		
				97550	E100D	25.56" - 26.00"	700	24.32	1908	ES3-18-750	ES1-18-800	EH3-18-1200		
				507158X (FC1)	E100X	22.81" - 23.36"	700	24.32	1800					
				97679(97679)	97681(97681)	97677(97677)	E110	22.81" - 23.36"	770	26.75	1818	ES3-18-850	ES1-18-800	EH3-18-1200
				503744V(504151V)	505323V(504161V)		E120S	30.56" - 31.06"	840	29.18	2556	SES3-18-850	SES1-18-800+	SES3-18-850
				503744W(504151W)	505323W(504161W)		E125	30.56" - 31.06"	875	30.40	2376	ES3-18-950	ES1-18-800+	EH3-18-1200
				503744D(504151D)	505323D(504161D)		E125D	30.56" - 31.06"	875	30.40	2376	ES3-18-950	ES1-18-800+	EH3-18-1200
				503744L(504151L)	505323L(504161L)		E140	30.56" - 31.06"	980	34.05	2448	ES3-18-1050	ES1-18-800+	EH3-18-1200
				506590X (FC1) 506561X (FC2)			E140X	30.56" - 31.06"	980	34.05	2448			
			503744S(504151S)	505323S(504161S)		E155	30.56" - 31.06"	1085	37.69	2466	ES3-18-1200	N/A	EH3-18-1200	
	Flat Plate	68394G(72442G)	76120G(71464G)	73639G(71297G)	85G	22.81" - 23.36"	595	20.67	1710	ES3-18-680	ES1-18-600	EH3-18-1200		
		68394P(72442P)	76120P(71464P)	73639P(71297P)	85P	22.81" - 23.36"	595	20.67	1746	ES3-18-680	ES1-18-600	EH3-18-1200		
					85PFC	22.81" - 23.36"	595	20.67	1746					
		500900G		500293G(500170G)	100G	25.56" - 26.00"	700	24.32	1980	ES3-18-750	ES1-18-800	EH3-18-1200		
		500900P		500293P(500170P)	100P	25.56" - 26.00"	700	24.32	2052	ES3-18-750	ES1-18-800	EH3-18-1200		
503744G(504151G)		(504161G)		125G	30.56" - 31.06"	875	30.40	2412	ES3-18-950	ES1-18-800+	EH3-18-1200			
503744P(504151P)		(504161P)		125P	30.56" - 31.06"	875	30.40	2448	ES3-18-950	ES1-18-800+	EH3-18-1200			
506741P (FC1) 506838P (FC2)				125PFC	30.56" - 31.06"	875	30.40	2445						
17	Square Tube	38.33" x 20.21"	33.58" x 25.96"	32.07" x 26.42"										
		94102V(96585V)		96695V(97945V)	E60S	18.44" - 18.56"	480	16.68	1620	SES3-18-550	SES1-18-600	SES3-18-550		
		94102(96585)		96695(97945)	E75L	18.94" - 19.56"	600	20.84	1620	ES3-18-680	ES1-18-600	EH3-18-1200		
		94102G(96585G)		96695G(97945G)	75GL	18.94" - 19.56"	600	20.84	1620	SES3-18-680	ES1-18-600	EH3-18-1200		
		76702(58004)	67460	77123(78967)	E75	22.69" - 23.36"	600	20.84	1800	ES3-18-680	ES1-18-600	EH3-18-1200		
		76702G(58004G)	67460G	77123G(78967G)	75G	22.69" - 23.36"	600	20.84	1800	SES3-18-680	ES1-18-600	EH3-18-1200		
		76121V(75980V)	67494V(68905V)	75453V(77224V)	E80S	22.81" - 23.36"	640	22.23	2286	SES3-18-680	SES1-18-800	SES3-18-680		
		76121(75980)	67494(68905)	75453(77224)	E85	22.69" - 23.36"	680	23.62	1908	ES3-18-680	ES1-18-800	EH3-18-1200		
		76121D(77816D)	67494D(68905D)	75453D(77224D)	E85D	22.81" - 23.36"	680	23.62	1931	ES3-18-680	ES1-18-800	EH3-18-1200		
		97556(97557)	97662(500486)	97558(97559)	E100	22.69" - 23.36"	800	27.79	2034	ES3-18-850	ES1-18-800	EH3-18-1200		
		504352D			E100D	25.56" - 26.00"	800	27.79	2124	ES3-18-850	ES1-18-800	EH3-18-1200		
		506633X (FC1) 506801X (FC2)			E100X	22.81" - 23.36"	800	27.79	2048					
		97661(97661)	97663(97663)	97669(97669)	E110	22.81" - 23.36"	880	30.57	2070	ES3-18-950	ES1-18-800+	EH3-18-1200		
		503752V(504106V)		504673V	E120S	30.56" - 31.06"	960	33.35	2898	SES3-18-1050	SES1-18-800+	SES3-18-1050		
		503752W(504106W)		504673W	E125	30.56" - 31.06"	1000	34.74	2700	ES3-18-1050	ES1-18-800+	EH3-18-1200		
		503752D(504106D)		504673D	E125D	30.56" - 31.06"	1000	34.74	2700	ES3-18-1050	ES1-18-800+	EH3-18-1200		
		503752L(504106L)		504673L	E140	30.56" - 31.06"	1120	38.91	2772	ES3-18-1200	N/A	EH3-18-1200		
		506579X (FC1) 503752X (FC2)			E140X	30.56" - 31.06"	1120	38.91	2772					
		503752S(504106S)		504673S	E155	30.56" - 31.06"	1240	43.08	2808	ES3-18-1500	N/A	EH3-18-1600		
		76121G(75980G)	67494G(68905G)	75453G(77224G)	85G	22.81" - 23.36"	680	23.62	1926	ES3-18-680	ES1-18-800	EH3-18-1200		
	76121P(75980P)	67494P(68905P)	75453P(77224P)	85P	22.81" - 23.36"	680	23.62	1962	ES3-18-680	ES1-18-800	EH3-18-1200			
	506816P (FC1) 507236P (FC2)			85PFC	22.81" - 23.36"	680	23.62	1962						
	500020G(98166G)	500052G	500052G	100G	25.56" - 26.00"	800	27.79	2132	ES3-18-850	ES1-18-800	EH3-18-1200			
	500020P(98166P)	500052P	500052P	100P	25.56" - 26.00"	800	27.79	2304	ES3-18-850	ES1-18-800	EH3-18-1200			
	503752G(504106G)		504673G	125G	30.56" - 31.06"	1000	34.74	2754	ES3-18-1050	ES1-18-800+	EH3-18-1200			
	503752P(504106P)		504673P	125P	30.56" - 31.06"	1000	34.74	2808	ES3-18-1050	ES1-18-800+	EH3-18-1200			
	506545P (FC1) 506850P (FC2)			125PFC	30.56" - 31.06"	1000	34.74	2808						

(1) Also available are E28S (11.06"H), E45S (14.06"H), E55L (14.87"H), and 55GL (14.87"H)

(2) Caution: Weights may vary by +/-5%

* All batteries are standard layouts. Contact Sales for additional sizes and layouts

(3) If N/C and W/C are showing same part #, this designates a convertible [C] style tray. See "Typical Battery Configurations" at front of book for details.

(+) Indicates Recharge Times That May Exceed 8 Hours.

36 VOLT-18 CELL

Sit-down Rider and Stand-up Center Control Layouts

Plates Per Cell	Plate Type	(3) Standard Dimensions and Catalog Numbers N/C-(W/C)			Cell Type (1)	Height in Inches	Capacity 6 Hr. Rate		Approx Weight (2)	Recommended Chargers		
		Length x Width	Length x Width	Length x Width			A.H.	KWH		Pounds	Three Phase	Single Phase
19	Square Tube	38.33" x 22.46"	36.37" x 26.01"	32.25" x 29.12"		N/C - W/C						
		(500920V)	500761V	97190V(97253V)	E60S	18.44" - 18.56"	540	18.76	1800	SES3-18-550	SES1-18-600	SES3-18-550
		(500920)	500761	97190(97253)	E75L	18.94" - 19.56"	675	23.45	1800	ES3-18-680	ES1-18-600	EH3-18-1200
		(500920G)	500761G	97190G(97253G)	75GL	18.94" - 19.56"	675	23.45	1800	ES3-18-680	ES1-18-800	EH3-18-1200
		57180(57928)	80311	68752(64532)	E75	22.69" - 23.36"	675	23.45	1998	ES3-18-680	ES1-18-800	EH3-18-1200
		57180G(57928G)	80311G	68752G(64532G)	75G	22.69" - 23.36"	675	23.45	1998	SES3-18-680	ES1-18-800	EH3-18-1200
		67167V(77293V)	70748V(70801V)	76390V(66556V)	E80S	22.81" - 23.36"	720	25.01	2430	SES3-18-750	SES1-18-800	SES3-18-750
		67167(77293)	70748(70801)	76390(66556)	E85	22.69" - 23.36"	765	26.58	2124	ES3-18-850	ES1-18-800	EH3-18-1200
		67167D(77293D)	70748D(70801D)	76390D(66556D)	E85D	22.81" - 23.36"	765	26.58	2147	ES3-18-850	ES1-18-800	EH3-18-1200
		97560(97561)	98196	97562(97563)	E100	22.69" - 23.36"	900	31.27	2268	ES3-18-950	ES1-18-800+	EH3-18-1200
					E100D	25.56" - 26.00"	900	31.27	2358	ES3-18-950	ES1-18-800+	EH3-18-1200
		506804X (FC1)			E100X	22.81" - 23.36"	900	31.27	2322			
		97678(97678)		97680(97680)	E110	22.81" - 23.36"	990	34.39	2322	ES3-18-1050	ES1-18-800+	EH3-18-1200
		503792V(503729V)	504386V(504391V)		E120S	30.56" - 31.06"	1080	37.52	3168	SES3-18-1200	N/A	SES3-18-1050
		503792W(503729W)	504386W(504391W)		E125	30.56" - 31.06"	1125	39.08	3024	ES3-18-1200	N/A	EH3-18-1200
		503792D(503729D)	504386D(504391D)		E125D	30.56" - 31.06"	1125	39.08	3024	ES3-18-1200	N/A	EH3-18-1200
		503792L(503729L)	504386L(504391L)		E140	30.56" - 31.06"	1260	43.77	3096	ES3-18-1500	N/A	ES3-18-1600
		506675X (FC1) 506688X (FC2)			E140X	30.56" - 31.06"	1260	43.77	3096			
	503792S(503729S)	504386S(504391S)		E155	30.56" - 31.06"	1395	48.46	3132	ES3-18-1500	N/A	ES3-18-1600	
	Flat Plate	67167G(77293G)	70748G(70801G)	76390G(66556G)	85G	22.81" - 23.36"	765	26.58	2142	ES3-18-850	ES1-18-800	EH3-18-1200
		67167P(77293P)	70748P(70801P)	76390P(66556P)	85P	22.81" - 23.36"	765	26.58	2160	ES3-18-850	ES1-18-800	EH3-18-1200
		506805P (FC1) 507091P (FC2)			85PFC	22.81" - 23.36"	765	26.58	2160			
		98336G(500249G)		99030G(502196G)	100G	25.56" - 26.00"	900	31.27	2502	ES3-18-950	ES1-18-800+	EH3-18-1200
		98336P(500249P)		99030P(502196P)	100P	25.56" - 26.00"	900	31.27	2592	ES3-18-950	ES1-18-800+	EH3-18-1200
		503792G(503729G)	504386G(504391G)		125G	30.56" - 31.06"	1125	39.08	3060	ES3-18-1200	N/A	EH3-18-1200
		503792P(503729P)	504386P(504391P)		125P	30.56" - 31.06"	1125	39.08	3150	ES3-18-1200	N/A	EH3-18-1200
					125PFC	30.56" - 31.06"	1125	39.08	3150			
21	Square Tube	38.33" x 24.54"	32.35" x 31.25"									
		90194V(91261V)			E60S	18.44" - 18.56"	600	20.84	1998	SES3-18-680	SES1-18-600	SES3-18-680
		90194(91261)			E75L	18.94" - 19.56"	750	26.06	1980	ES3-18-750	ES1-18-800	EH3-18-1200
		90194G(91261G)			75GL	18.94" - 19.56"	750	26.06	1980	ES3-18-750	ES1-18-800	EH3-18-1200
		57561(77457)	83599(57957)		E75	22.69" - 23.36"	750	26.06	2196	ES3-18-750	ES1-18-800	EH3-18-1200
		57561G(77457G)	83599G(57957G)		75G	22.69" - 23.36"	750	26.06	2196	SES3-18-750	ES1-18-800	EH3-18-1200
		70436V(77295V)	76391V(71033V)		E80S	22.81" - 23.36"	800	27.79	2664	SES3-18-850	SES1-18-800	SES3-18-850
		70436(77295)	76391(71033)		E85	22.69" - 23.36"	850	29.53	2310	ES3-18-850	ES1-18-800+	EH3-18-1200
		70436D(77295D)	76391D(71033D)		E85D	22.81" - 23.36"	850	29.53	2369	ES3-18-850	ES1-18-800+	EH3-18-1200
		97564(97565)	500567(500140)		E100	22.69" - 23.36"	1000	34.74	2520	ES3-18-1050	ES1-18-800+	EH3-18-1200
		505102D			E100D	25.56" - 26.00"	1000	34.74	2610	ES3-18-1050	ES1-18-800+	EH3-18-1200
		506627X (FC1) 506600X (FC2)			E100X	22.81" - 23.36"	1000	34.74	2547			
		97684(97684)			E110	22.81" - 23.36"	1100	38.21	2574	ES3-18-1200	N/A	EH3-18-1200
		503757V(504069V)			E120S	30.56" - 31.06"	1200	41.69	3492	SES3-18-1200	N/A	SES3-18-1200
		503757W(504069W)			E125	30.56" - 31.06"	1250	43.43	3312	ES3-18-1500	N/A	EH3-18-1600
		503757D(504069D)			E125D	30.56" - 31.06"	1250	43.43	3312	ES3-18-1500	N/A	EH3-18-1600
		503757L(504069L)			E140	30.56" - 31.06"	1400	48.64	3438	ES3-18-1500	N/A	EH3-18-1600
					E140X	30.56" - 31.06"	1400	48.64	3438			
	503757S(504069S)			E155	30.56" - 31.06"	1550	53.85	3474	ES3-18-1500	N/A	EH3-18-1600	
	Flat Plate	70436G(77295G)	76391G(71033G)		85G	22.81" - 23.36"	850	29.53	2358	ES3-18-850	ES1-18-800+	EH3-18-1200
		70436P(77295P)	76391P(71033P)		85P	22.81" - 23.36"	850	29.53	2394	ES3-18-850	ES1-18-800+	EH3-18-1200
		506607P (FC1) 506928P (FC2)			85PFC	22.81" - 23.36"	850	29.53	2394			
		98271G(98495G)			100G	25.56" - 26.00"	1000	34.74	2700	ES3-18-1050	ES1-18-800+	EH3-18-1200
		98271P(98495P)			100P	25.56" - 26.00"	1000	34.74	2808	ES3-18-1050	ES1-18-800+	EH3-18-1200
		503757G(504069G)			125G	30.56" - 31.06"	1250	43.43	3366	ES3-18-1500	N/A	EH3-18-1600
		503757P(504069P)			125P	30.56" - 31.06"	1250	43.43	3492	ES3-18-1500	N/A	EH3-18-1600
					125PFC	30.56" - 31.06"	1250	43.43	3492			

(1) Also available are E28S (11.06"H), E45S (14.06"H), E55L (14.87"H), and 55GL (14.87"H)

(2) Caution: Weights may vary by +/-5%

(3) If N/C and W/C are showing same part #, this designates a convertible [C] style tray. See "Typical Battery Configurations" at front of book for details.

(+) Indicates Recharge Times That May Exceed 8 Hours.

* All batteries are standard layouts. Contact Sales for additional sizes and layouts

36 VOLT-18 CELL

Sit-down Rider and Stand-up Center Control Layouts

Plates Per Cell	Plate Type	(3) Standard Dimensions and Catalog Numbers N/C-(W/C)			Cell Type (1)	Height in Inches		Capacity 6 Hr. Rate		Approx Weight (2)	Recommended Chargers		
		Length x Width	Length x Width	Length x Width		N/C - W/C	A.H.	KWH	Pounds		Three Phase	Single Phase	Performance
23	Square Tube	38.58" x 26.96"	36.05" x 32.26"		E60S	18.44" - 18.56"	660	22.93	2178	SES3-18-680	SES1-18-800	SES3-18-680	
		501577V(95979V)			E75L	18.94" - 19.56"	825	28.66	2178	ES3-18-850	ES1-18-800+	EH3-18-1200	
		501577G(95979G)			75GL	18.94" - 19.56"	825	28.66	2178	ES3-18-850	ES1-18-800+	EH3-18-1200	
		57868(57844)			E7S	22.69" - 23.36"	825	28.66	2412	ES3-18-850	ES1-18-800+	EH3-18-1200	
		57868G(57844G)			75G	22.69" - 23.36"	825	28.66	2412	ES3-18-850	ES1-18-800+	EH3-18-1200	
		66144V(77298V)	500095V		E80S	22.81" - 23.36"	880	30.57	2898	SES3-18-950	SES1-18-800+	SES3-18-950	
		66144(77298)	500095		E8S	22.69" - 23.36"	935	32.48	2574	ES3-18-950	ES1-18-800+	EH3-18-1200	
		66144D(77298D)	500095D		E85D	22.81" - 23.36"	935	32.48	2605	ES3-18-950	ES1-18-800+	EH3-18-1200	
		97566(97567)			E100	22.69" - 23.36"	1100	38.21	2736	ES3-18-1200	N/A	EH3-18-1200	
		505067D			E100D	25.56" - 26.00"	1100	38.21	2898	ES3-18-1200	N/A	EH3-18-1200	
		506585X (FC1) 506685X (FC2)			E100X	22.81" - 23.36"	1100	38.21	2761				
		97686(97686)			E110	22.81" - 23.36"	1210	42.04	2790	ES3-18-1500	N/A	EH3-18-1200	
		504038V			E120S	30.56" - 31.06"	1320	45.86	3780	SES3-18-1500	N/A	SES3-18-1500	
		504038W			E125	30.56" - 31.06"	1375	47.77	3636	ES3-18-1500	N/A	EH3-18-1600	
		504038D			E125D	30.56" - 31.06"	1375	47.77	3636	ES3-18-1500	N/A	EH3-18-1600	
		504038L			E140	30.56" - 31.06"	1540	53.50	3726	ES3-18-1500+	N/A	EH3-18-1600	
		507203X (FC2)			E140X	30.56" - 31.06"	1540	53.50	3726				
	504038S			E155	30.56" - 31.06"	1705	59.23	3762	ES3-18-1500+	N/A	EH3-18-1600+		
	Flat Plate	66144G(77298G)	500095G		85G	22.81" - 23.36"	935	32.48	2592	ES3-18-950	ES1-18-800+	EH3-18-1200	
		66144P(77298P)	500095P		85P	22.81" - 23.36"	935	32.48	2628	ES3-18-950	ES1-18-800+	EH3-18-1200	
		506540P (FC1)			85PFC	22.81" - 23.36"	935	32.48	2628				
		98269G(98519G)			100G	25.56" - 26.00"	1100	38.21	2934	ES3-18-1200	N/A	EH3-18-1200	
		98269P(98519P)			100P	25.56" - 26.00"	1100	38.21	3024	ES3-18-1200	N/A	EH3-18-1200	
504038G				125G	30.56" - 31.06"	1375	47.77	3708	ES3-18-1500	N/A	EH3-18-1600		
504038P				125P	30.56" - 31.06"	1375	47.77	3816	ES3-18-1500	N/A	EH3-18-1600		
			125PFC	30.56" - 31.06"	1375	47.77	3816						
	38.33" x 29.33"	35.95" x 32.24"											
25	Square Tube	500766V(500823V)			E60S	18.44" - 18.56"	720	25.01	2376	SES3-18-750	SES1-18-800	SES3-18-750	
		507610L			E75L	18.94" - 19.56"	900	31.27	2340	ES3-18-950	ES1-18-800+	EH3-18-1200	
		507610G			75GL	18.94" - 19.56"	900	31.27	2340	ES3-18-950	ES1-18-800+	EH3-18-1200	
		57727(77291)	58616		E7S	22.69" - 23.36"	900	31.27	2610	ES3-18-950	ES1-18-800+	EH3-18-1200	
		57727G(77291G)	58616G		75G	22.69" - 23.36"	900	31.27	2610	SES3-18-950	ES1-18-800+	EH3-18-1200	
		70433V(77300V)	69732V(69724V)		E80S	22.81" - 23.36"	960	33.35	3132	SES3-18-1050	SES1-18-800+	SES3-18-1050	
		70433(77300)	69732(69724)		E8S	22.69" - 23.36"	1020	35.43	2808	ES3-18-1050	ES1-18-800+	EH3-18-1200	
		70433D(77300D)	69732D(69724D)		E85D	22.81" - 23.36"	1020	35.43	2842	ES3-18-1050	ES1-18-800+	EH3-18-1200	
		97568(97569)			E100	22.69" - 23.36"	1200	41.69	2988	ES3-18-1200	N/A	EH3-18-1200	
					E100D	25.56" - 26.00"	1200	41.69	3150	ES3-18-1200	N/A	EH3-18-1200	
		506636X (FC1) 506616X (FC2)			E100X	22.81" - 23.36"	1200	41.69	3011				
		97688(97688)			E110	22.81" - 23.36"	1320	45.86	3042	ES3-18-1500	N/A	EH3-18-1600	
		505960V(505057V)			E120S	30.56" - 31.06"	1440	50.03	4068	SES3-18-1500	N/A	SES3-18-1500	
		505960W(505057W)			E125	30.56" - 31.06"	1500	52.11	3960	ES3-18-1500	N/A	EH3-18-1600	
		505960D(505057D)			E125D	30.56" - 31.06"	1500	52.11	3960	ES3-18-1500	N/A	EH3-18-1600*	
		505960L(505057L)			E140	30.56" - 31.06"	1680	58.36	4014	ES3-18-2000	N/A	EH3-18-1600	
					E140X	30.56" - 31.06"	1680	58.36	4014				
	505960S(505057S)			E155	30.56" - 31.06"	1860	64.62	4050	ES3-18-2000	N/A	ES3-18-2000		
	Flat Plate	70433G(77300G)	69732G(69724G)		85G	22.81" - 23.36"	1020	35.43	2844	ES3-18-1050	ES1-18-800+	EH3-18-1200	
		70433P(77300P)	69732P(69724P)		85P	22.81" - 23.36"	1020	35.43	2862	ES3-18-1050	ES1-18-800+	EH3-18-1200	
		506867P (FC1) 505390P (FC2)			85PFC	22.81" - 23.36"	1020	35.43	2862				
		98441G(500589G)			100G	25.56" - 26.00"	1200	41.69	3204	ES3-18-1200	N/A	EH3-18-1200	
		98441P(500589P)			100P	25.56" - 26.00"	1200	41.69	3312	ES3-18-1200	N/A	EH3-18-1200	
505960G(505057G)				125G	30.56" - 31.06"	1500	52.11	3942	ES3-18-1500	N/A	EH3-18-1600		
505960P(505057P)			125P	30.56" - 31.06"	1500	52.11	4032	ES3-18-1500	N/A	EH3-18-1600			
			125PFC	30.56" - 31.06"	1500	52.11	4032						

(1) Also available are E28S (11.06"H), E45S (14.06"H), E55L (14.87"H), and 55GL (14.87"H)

(2) Caution: Weights may vary by +/-5%

* All batteries are standard layouts. Contact Sales for additional sizes and layouts

(3) If N/C and W/C are showing same part #, this designates a convertible [C] style tray. See "Typical Battery Configurations" at front of book for details.

(+) Indicates Recharge Times That May Exceed 8 Hours.

36 VOLT-18 CELL

Sit-down Rider and Stand-up Center Control Layouts

Plates Per Cell	Plate Type	(3) Standard Dimensions and Catalog Numbers N/C-(W/C)			Cell Type (1)	Height in Inches N/C - W/C	Capacity 6 Hr. Rate		Approx Weight (2) Pounds	Recommended Chargers		
		Length x Width	Length x Width	Length x Width			A.H.	KWH		Three Phase	Single Phase	Performance
		38.33" x 31.46"										
27	SquareTube	505083V(91148V)			E60S	18.44" - 18.56"	780	27.10	2592	SES3-18-850	SES1-18-800	SES3-18-850
		505083(91148)			E75L	18.94" - 19.56"	975	33.87	2574	ES3-18-1050	ES1-18-800+	EH3-18-1200
		505083G(91148G)			75GL	18.94" - 19.56"	975	33.87	2574	ES3-18-1050	ES1-18-800+	EH3-18-1200
		57590(69642)			E75	22.69" - 23.36"	975	33.87	2844	ES3-18-1050	ES1-18-800+	EH3-18-1200
		57590G(69642G)			75G	22.69" - 23.36"	975	33.87	2844	ES3-18-1050	ES1-18-800+	EH3-18-1200
		67407V(67964V)			E80S	22.81" - 23.36"	1040	36.13	3366	SES3-18-1050	SES1-18-800+	SES3-18-1050
		67407(67964)			E85	22.69" - 23.36"	1105	38.39	3024	ES3-18-1200	N/A	EH3-18-1200
		67407D(67964D)			E85D	22.81" - 23.36"	1105	38.39	3060	ES3-18-1200	N/A	EH3-18-1200
		97570(97571)			E100	22.69" - 23.36"	1300	45.16	3240	ES3-18-1500	N/A	EH3-18-1600
					E100D	25.56" - 26.00"	1300	45.16	3402	ES3-18-1500	N/A	EH3-18-1600
		97689(97689)			E110	22.81" - 23.36"	1430	49.68	3312	ES3-18-1500	N/A	EH3-18-1600
		504196V(504716V)			E120S	30.56" - 31.06"	1560	54.19	4356	SES3-18-1700	N/A	SES3-18-1700
		504196W(504716W)			E125	30.56" - 31.06"	1625	56.45	4248	ES3-18-1700	N/A	EH3-18-1600
		504196D(504716D)			E125D	30.56" - 31.06"	1625	56.45	4248	ES3-18-1700	N/A	EH3-18-1600
	504196L(504716L)			E140	30.56" - 31.06"	1820	63.23	4302	ES3-18-2000	N/A	ES3-18-2000	
	504196S(504716S)			E155	30.56" - 31.06"	2015	70.00	4338	ES3-18-2000	N/A	ES3-18-2000	
	Flat Plate	67407G(67964G)			85G	22.81" - 23.36"	1105	38.39	3078	ES3-18-1200	N/A	EH3-18-1200
		67407P(67964P)			85P	22.81" - 23.36"	1105	38.39	3096	ES3-18-1200	N/A	EH3-18-1200
		98154G(500050G)			100G	25.56" - 26.00"	1300	45.16	3510	ES3-18-1500	N/A	EH3-18-1600
		98154P(500050P)			100P	25.56" - 26.00"	1300	45.16	3636	ES3-18-1500	N/A	EH3-18-1600
		504196G(504716G)			125G	30.56" - 31.06"	1625	56.45	4248	ES3-18-1700	N/A	EH3-18-1600
		504196P(504716P)			125P	30.56" - 31.06"	1625	56.45	4320	ES3-18-1700	N/A	EH3-18-1600
		38.41" x 33.72"										
29	SquareTube	500512V(91154V)			E60S	18.44" - 18.56"	840	29.18	2790	SES3-18-850	SES1-18-800*	SES3-18-850
		500512(91154)			E75L	18.94" - 19.56"	1050	36.48	2772	ES3-18-1050	ES1-18-800+	EH3-18-1200
		500512G(91154G)			75GL	18.94" - 19.56"	1050	36.48	2772	ES3-18-1050	ES1-18-800+	EH3-18-1200
		57846(81457)			E75	22.69" - 23.36"	1050	36.48	3078	ES3-18-1050	ES1-18-800+	EH3-18-1200
		57846G(81457G)			75G	22.69" - 23.36"	1050	36.48	3078	ES3-18-1050	ES1-18-800+	EH3-18-1200
		76122V(67843V)			E80S	22.81" - 23.36"	1120	38.91	3600	SES3-18-1200	N/A	SES3-18-1200
		76122(67843)			E85	22.69" - 23.36"	1190	41.34	3276	ES3-18-1200	N/A	EH3-18-1200
		76122D(67843D)			E85D	22.81" - 23.36"	1190	41.34	3316	ES3-18-1200	N/A	EH3-18-1200
		97572(97573)			E100	22.69" - 23.36"	1400	48.64	3510	ES3-18-1500	N/A	EH3-18-1600
					E100D	25.56" - 26.00"	1400	48.64	3672	ES3-18-1500	N/A	EH3-18-1600
		97690(97690)			E110	22.81" - 23.36"	1540	53.50	3582	ES3-18-1700	N/A	EH3-18-1600
		505196V			E120S	30.56" - 31.06"	1680	58.36	4644	SES3-18-1700	N/A	SES3-18-1700
		505196W			E125	30.56" - 31.06"	1750	60.80	4536	ES3-18-2000	N/A	ES3-18-2000
		505196D			E125D	30.56" - 31.06"	1750	60.80	4536	ES3-18-2000	N/A	ES3-18-2000
	505196L			E140	30.56" - 31.06"	1960	68.09	4590	ES3-18-2000	N/A	ES3-18-2000	
	505196S			E155	30.56" - 31.06"	2170	75.39	4626	ES3-18-2000+	N/A	ES3-18-2000+	
	Flat Plate	76122G(67843G)			85G	22.81" - 23.36"	1190	41.34	3294	ES3-18-1200	N/A	EH3-18-1200
		76122P(67843P)			85P	22.81" - 23.36"	1190	41.34	3330	ES3-18-1200	N/A	EH3-18-1200
		500173G(501477G)			100G	25.56" - 26.00"	1400	48.64	3726	ES3-18-1500	N/A	E3-18-1600
		500173P(501477P)			100P	25.56" - 26.00"	1400	48.64	3870	ES3-18-1500	N/A	EH3-18-1600
		505196G			125G	30.56" - 31.06"	1750	60.80	4482	ES3-18-2000	N/A	ES3-18-2000
		505196P			125P	30.56" - 31.06"	1750	60.80	4608	ES3-18-2000	N/A	ES3-18-2000

(1) Also available are E28S (11.06"H), E45S (14.06"H), E55L (14.87"H), and 55GL (14.87"H)

(2) Caution: Weights may vary by +/-5%

* All batteries are standard layouts. Contact Sales for additional sizes and layouts

(3) If N/C and W/C are showing same part #, this designates a convertible [C] style tray. See "Typical Battery Configurations" at front of book for details.

(+) Indicates Recharge Times That May Exceed 8 Hours.

36 VOLT-18 CELL

Sit-down Rider and Stand-up Center Control Layouts

Plates Per Cell	Plate Type	(3) Standard Dimensions and Catalog Numbers N/C-(W/C)			Cell Type (1)	Height in Inches N/C - W/C	Capacity 6 Hr. Rate		Approx Weight (2) Pounds	Recommended Chargers		
		Length x Width	Length x Width	Length x Width			A.H.	KWH		Three Phase	Single Phase	Performance
31	SquareTube	38.34" x 35.97"			E60S	18.44" - 18.56"	900	31.27	2934	SES3-18-950	SES1-18-800+	SES3-18-950
		96199V(96199V)			E75L	18.94" - 19.56"	1125	39.08	2916	ES3-18-1200	N/A	EH3-18-1200
		96199G(96199G)			75GL	18.94" - 19.56"	1125	39.08	2916	ES3-18-1200	N/A	EH3-18-1200
		88397(88397)			E75	22.69" -23.36"	1125	39.08	3258	ES3-18-1200	N/A	EH3-18-1200
		88397G(88397G)			75G	22.69" -23.36"	1125	39.08	3258	ES3-18-1200	N/A	EH3-18-1200
		88398V(88398V)			E80S	22.81" - 23.36"	1200	41.69	3834	SES3-18-1200	N/A	SES3-18-1200
		88398(88398)			E85	22.69" - 23.36"	1275	44.29	3456	ES3-18-1500	N/A	EH3-18-1600
		88398D(88398D)			E85D	22.81" - 23.36"	1275	44.29	3497	ES3-18-1500	N/A	EH3-18-1600
		97574(97574)			E100	22.69" - 23.36"	1500	52.11	3708	ES3-18-1500	N/A	EH3-18-1600
					E100D	25.56" - 26.00"	1500	52.11	3942	ES3-18-1500	N/A	EH3-18-1600
	97691(97691)			E110	22.81" - 23.36"	1650	57.32	3780	ES3-18-1700	N/A	EH3-18-1600	
	Flat	88398G(88398G)			85G	22.81" -23.36"	1275	44.29	3492	ES3-18-1500	N/A	EH3-18-1600
		88398P(88398P)			85P	22.81" -23.36"	1275	44.29	3528	ES3-18-1500	N/A	EH3-18-1600
		99763G(99763G)			100G	25.56" - 26.00"	1500	52.11	3960	ES3-18-1500	N/A	EH3-18-1600
		99763P(99763P)			100P	25.56" - 26.00"	1500	52.11	4104	ES3-18-1500	N/A	EH3-18-1600
	38.34" x 38.24"											
33	SquareTube	92650V(92650V)			E60S	18.44" - 18.56"	960	33.35	3078	SES3-18-1050	SES1-18-800+	SES3-18-1050
		92650(92650)			E75L	18.94" - 19.56"	1200	41.69	3078	ES3-18-1200	N/A	EH3-18-1200
		92650G(92650G)			75GL	18.94" - 19.56"	1200	41.69	3078	ES3-18-1200	N/A	EH3-18-1200
		83485(83485)			E75	22.69" -23.36"	1200	41.69	3420	ES3-18-1200	N/A	EH3-18-1200
		83485G(83485G)			75G	22.69" -23.36"	1200	41.69	3420	ES3-18-1200	N/A	EH3-18-1200
		76123V(76123V)			E80S	22.81" - 23.36"	1280	44.47	4140	SES3-18-1500	N/A	SES3-18-1500
		76123(76123)			E85	22.69" - 23.36"	1360	47.25	3636	ES3-18-1500	N/A	EH3-18-1600
		76123D(76123D)			E85D	22.81" - 23.36"	1360	47.25	3681	ES3-18-1500	N/A	EH3-18-1600
		97575(97575)			E100	22.69" - 23.36"	1600	55.58	3888	ES3-18-1700	N/A	EH3-18-1600
					E100D	25.56" - 26.00"	1600	55.58	4212	ES3-18-1700	N/A	EH3-18-1600
	97692(97692)			E110	22.81" - 23.36"	1760	61.14	3960	ES3-18-2000	N/A	ES3-18-2000	
	Flat	76123G(76123G)			85G	22.81" -23.36"	1360	47.25	3708	ES3-18-1500	N/A	EH3-18-1600
		76123P(76123P)			85P	22.81" -23.36"	1360	47.25	3762	ES3-18-1500	N/A	EH3-18-1600
		98136G(98136G)			100G	25.56" - 26.00"	1600	55.58	4230	ES3-18-1700	N/A	EH3-18-1600
		98136P(98136P)			100P	25.56" - 26.00"	1600	55.58	4392	ES3-18-1700	N/A	EH3-18-1600

(1) Also available are E28S (11.06"H), E45S (14.06"H), E55L (14.87"H), and 55GL (14.87"H)

(2) Caution: Weights may vary by +/-5%

* All batteries are standard layouts. Contact Sales for additional sizes and layouts

(3) If N/C and W/C are showing same part #, this designates a convertible [C] style tray. See "Typical Battery Configurations" at front of book for details.

(+) Indicates Recharge Times That May Exceed 8 Hours.

48 VOLT-24 CELL

Sit-down Rider Truck Layouts

Plates Per Cell	Plate Type	(3) Standard Dimensions and Catalog Numbers N/C-(W/C)			Cell Type (1)	Height in Inches	Capacity		Approx Weight (2)	Recommended Chargers			
		Length x Width	Length x Width	Length x Width			6 Hr. Rate	KWH		Pounds	Three Phase	Single Phase	Performance
9	Square Tube	500776V	(500918V)		E60S	18.44" - 18.56"	240	11.12	1176	SES3-24-550	SES1-24-600	SES3-24-550	
		500776	(500918)		E75L	18.94" - 19.56"	300	13.90	1128	ES3-24-550	ES1-24-600	ES3-24-550	
		500776G	(500918G)		75GL	18.94" - 19.56"	300	13.90	1128	ES3-24-550	ES1-24-600	ES3-24-550	
		(501576)	503311		E75	22.69" - 23.36"	300	13.90	1320	ES3-24-550	ES1-24-600	ES3-24-550	
		(501576G)	503311G		75G	22.69" - 23.36"	300	13.90	1320	ES3-24-550	ES1-24-600	ES3-24-550	
		89645V(90172V)	(504174V)	90045V	E80S	22.81" - 23.36"	320	14.82	1560	SES3-24-550	SES1-24-600	SES3-24-550	
		89645(90172)	(504174)	90045	E85	22.69" - 23.36"	340	15.75	1344	ES3-24-550	ES1-24-600	ES3-24-550	
		89645D(90172D)	(504174D)	90045D	E85D	22.81" - 23.36"	340	15.75	1361	ES3-24-550	ES1-24-600	ES3-24-550	
		89645	(504174L)		E100	22.69" - 23.36"	400	18.53	1440	ES3-24-550	ES1-24-600	ES3-24-550	
					E100D	25.56" - 26.00"	400	18.53	1560	ES3-24-550	ES1-24-600	ES3-24-550	
		98688	500404		E110	22.81" - 23.36"	440	20.38	1464	ES3-24-550	ES1-24-600	ES3-24-550	
			504680V		E120S	30.56" - 31.06"	480	22.23	2184	SES3-24-550	SES1-24-600	ES3-24-550	
			504680W		E125	30.56" - 31.06"	500	23.16	1992	ES3-24-550	ES1-24-600	EH3-24-1500	
			504680D		E125D	30.56" - 31.06"	500	23.16	1992	ES3-24-550	ES1-24-600	EH3-24-1500	
		507005	504680L		E140	30.56" - 31.06"	560	25.94	2088	ES3-24-680	ES1-24-600	EH3-24-1500	
	503750	504680S		E155	30.56" - 31.06"	620	28.72	2112	ES3-24-680	ES1-24-600+	EH3-24-1500		
	Flat Plate	89645G(90172G)	98052G(504174G)	90045G	85G	22.81" - 23.36"	340	15.75	1368	ES3-24-550	ES1-24-600	EH3-24-1500	
		89645P(90172P)	98052P(504174P)	90045P	85P	22.81" - 23.36"	340	15.75	1416	ES3-24-550	ES1-24-600	EH3-24-1500	
		502207G	501065G		100G	25.56" - 26.00"	400	18.53	1560	ES3-24-550	ES1-24-600	EH3-24-1500	
		502207P	501065P		100P	25.56" - 26.00"	400	18.53	1608	ES3-24-550	ES1-24-600	EH3-24-1500	
		507005G	504680G		125G	30.56" - 31.06"	500	23.16	2016	ES3-24-550	ES1-24-600	EH3-24-1500	
		503750P	504680P		125P	30.56" - 31.06"	500	23.16	2040	ES3-24-550	ES1-24-600	EH3-24-1500	
		37.98" x 17.71"	31.87" x 22.31"	26.40" x 25.78"									
	11	Square Tube	(500760V)		500406V	E60S	18.44" - 18.56"	300	13.90	1392	SES3-24-550	SES1-24-600	SES3-24-550
(500760)				500406	E75L	18.94" - 19.56"	375	17.37	1320	ES3-24-550	ES1-24-600	ES3-24-550	
(500760G)				500406G	75GL	18.94" - 19.56"	375	17.37	1320	ES3-24-550	ES1-24-600	ES3-24-550	
85202					E75	22.69" - 23.36"	375	17.37	1464	ES3-24-550	ES1-24-600	ES3-24-550	
85202G					75G	22.69" - 23.36"	375	17.37	1464	ES3-24-550	ES1-24-600	ES3-24-550	
92971V			80171V	70238V(79704V)	E80S	22.81" - 23.36"	400	18.53	1896	SES3-24-550	SES1-24-600	SES3-24-550	
92971			80171	70238(79704)	E85	22.69" - 23.36"	425	19.69	1656	ES3-24-550	ES1-24-600	ES3-24-550	
92971D			80171D	70238D(79704D)	E85D	22.81" - 23.36"	425	19.69	1675	ES3-24-550	ES1-24-600	ES3-24-550	
97578			97576(97577)		E100	22.69" - 23.36"	500	23.16	1752	ES3-24-550	ES1-24-600	EH3-24-1500	
					E100D	25.56" - 26.00"	500	23.16	1872	ES3-24-550	ES1-24-600	EH3-24-1500	
97694			506578		E110	22.81" - 23.36"	550	25.48	1776	ES3-24-550	ES1-24-600	EH3-24-1500	
504341V(504296V)					E120S	30.56" - 31.06"	600	27.79	2592	SES3-24-680	SES1-24-600	SES3-24-680	
504341W(504296W)					E125	30.56" - 31.06"	625	28.95	2400	ES3-24-680	ES1-24-600+	EH3-24-1500	
504341D(504296D)					E125D	30.56" - 31.06"	625	28.95	2400	ES3-24-680	ES1-24-600+	EH3-24-1500	
504341L(504296L)					E140	30.56" - 31.06"	700	32.42	2520	ES3-24-750	ES1-24-600+	EH3-24-1500	
504341S(504296S)				E155	30.56" - 31.06"	775	35.90	2568	ES3-24-850	ES1-24-600+	EH3-24-1500		
Flat Plate		92971G	80171G	70238G(79704G)	85G	22.81" - 23.36"	425	19.69	1680	ES3-24-550	ES1-24-600	EH3-24-1500	
		92971P	80171P	70238P(79704P)	85P	22.81" - 23.36"	425	19.69	1728	ES3-24-550	ES1-24-600	EH3-24-1500	
		501873G	504890G	(501810G)	100G	25.56" - 26.00"	500	23.16	1872	ES3-24-550	ES1-24-600	EH3-24-1500	
		501873P	504890P	(501810P)	100P	25.56" - 26.00"	500	23.16	1920	ES3-24-550	ES1-24-600	EH3-24-1500	
		504341G(504296G)			125G	30.56" - 31.06"	625	28.95	2424	ES3-24-680	ES1-24-600+	EH3-24-1500	
		504341P(504296P)			125P	30.56" - 31.06"	625	28.95	2448	ES3-24-680	ES1-24-600+	EH3-24-1500	

(1) Also available are E28S (11.06"H), E45S (14.06"H), E55L (14.87"H), and 55GL (14.87"H)

(2) Caution: Weights may vary by +/-5%

* All batteries are standard layouts. Contact Sales for additional sizes and layouts

(3) If N/C and W/C are showing same part #, this designates a convertible [C] style tray. See "Typical Battery Configurations" at front of book for details.

(+) Indicates Recharge Times That May Exceed 8 Hours.

48 VOLT-24 CELL

Sit-down Rider Truck Layouts

Plates Per Cell	Plate Type	(3) Standard Dimensions and Catalog Numbers N/C-(W/C)			Cell Type (1)	Height in Inches	Capacity		Approx Weight (2)	Recommended Chargers			
		Length x Width	Length x Width	Length x Width			A.H.	KWH		Pounds	Three Phase	Single Phase	Performance
13	SquareTube	505286V	501264V		E60S	18.44" - 18.56"	360	16.68	1632	SES3-24-550	SES1-24-600	SES3-24-550	
		505286	501264		E75L	18.94" - 19.56"	450	20.84	1608	ES3-24-550	ES1-24-600	EH3-24-1500	
		505286G	501264G		75GL	18.94" - 19.56"	450	20.84	1608	ES3-24-550	ES1-24-600	EH3-24-1500	
			69829(80682)		E75	22.69" - 23.36"	450	20.84	1776	ES3-24-550	ES1-24-600	EH3-24-1500	
			69829G(80682G)		75G	22.69" - 23.36"	450	20.84	1776	ES3-24-550	ES1-24-600	EH3-24-1500	
		71528V	67715V(72605V)		E80S	22.81" - 23.36"	480	22.23	2232	SES3-24-550	SES1-24-600	SES3-24-550	
		71528	67715(72605)		E85	22.69" - 23.36"	510	23.62	1872	ES3-24-550	ES1-24-600	EH3-24-1500	
		71528D	67715D(72605D)		E85D	22.81" - 23.36"	510	23.62	1966	ES3-24-550	ES1-24-600	EH3-24-1500	
		97582(97583)	97580(97581)		E100	22.69" - 23.36"	600	27.79	2064	ES3-24-680	ES1-24-600	EH3-24-1500	
		99364D	502798D(97581D)		E100D	25.56" - 26.00"	600	27.79	2184	ES3-24-680	ES1-24-600	EH3-24-1500	
			507014X (FC1) 506927X (FC2)		E100X	22.81" - 23.36"	600	27.79	2088				
			97697(97697)	97696(97696)		E110	22.81" - 23.36"	660	30.57	2112	ES3-24-680	ES1-24-600+	EH3-24-1500
			504178V	505193V		E120S	30.56" - 31.06"	720	33.35	3000	SES3-24-750	SES1-24-600+	SES3-24-750
			504178W	505193W		E125	30.56" - 31.06"	750	34.74	2784	ES3-24-750	ES1-24-600+	EH3-24-1500
			504178D	505193D		E125D	30.56" - 31.06"	750	34.74	2784	ES3-24-750	ES1-24-600+	EH3-24-1500
			504178L	505193L		E140	30.56" - 31.06"	840	38.91	2880	ES3-24-850	N/A	EH3-24-1500
			506963X (FC1) 506829X (FC2)		E140X	30.56" - 31.06"	840	38.91	2880				
			504178S	505193S		E155	30.56" - 31.06"	930	43.08	2904	ES3-24-950	N/A	EH3-24-1500
		71528G(500487G)	67715G(72605G)		85G	22.81" - 23.36"	510	23.62	1944	ES3-24-550	ES1-24-600	ES3-24-1500	
		71528P(500487P)	67715P(72605P)		85P	22.81" - 23.36"	510	23.62	1992	ES3-24-550	ES1-24-600	ES3-24-1500	
			506915P (FC2)		85PFC	22.81" - 23.36"	510	23.62	1992				
		99364G	99558G(501982G)		100G	25.56" - 26.00"	600	27.79	2256	ES3-24-680	ES1-24-600	ES3-24-1500	
		99364P	99558P(501982P)		100P	25.56" - 26.00"	600	27.79	2328	ES3-24-680	ES1-24-600	ES3-24-1500	
		504178G(505169G)	505193G		125G	30.56" - 31.06"	750	34.74	2832	ES3-24-750	ES1-24-600+	ES3-24-1500	
		504178P(505169P)	505193P		125P	30.56" - 31.06"	750	34.74	2880	ES3-24-750	ES1-24-600+	ES3-24-1500	
			506990P (FC1)		125PFC	30.56" - 31.06"	750	34.74	2880				
		38.71" x 23.74"	35.33" x 26.03"	32.09" x 29.50"									
15	SquareTube	97985V	98156V(500983V)		E60S	18.44" - 18.56"	420	19.45	1896	SES3-24-550	SES1-24-600	SES3-24-550	
		97985	98156(500983)		E75L	18.94" - 19.56"	525	24.32	1896	ES3-24-550	ES1-24-600	EH3-24-1500	
		97985G	98156G(500983G)		75GL	18.94" - 19.56"	525	24.32	1896	ES3-24-550	ES1-24-600	EH3-24-1500	
		92459(505606)	64551(65407)		E75	22.69" - 23.36"	525	24.32	2088	ES3-24-550	ES1-24-600	EH3-24-1500	
		92459G(505606G)	64551G(65407G)		75G	22.69" - 23.36"	525	24.32	2088	ES3-24-550	ES1-24-600	EH3-24-1500	
		69855V(80690V)	67433V(73381V)	80049V(85377V)	E80S	22.81" - 23.36"	560	25.94	2544	SES3-24-680	SES1-24-600	SES3-24-680	
		69855(80690)	67433(73381)	80049(85377)	E85	22.69" - 23.36"	595	27.56	2232	ES3-24-680	ES1-24-600	EH3-24-1500	
		69855D(80690D)	67433D(73381D)	80049D(85377D)	E85D	22.81" - 23.36"	595	27.56	2261	ES3-24-680	ES1-24-600	EH3-24-1500	
		97586(97587)	97584(97585)	98523	E100	22.69" - 23.36"	700	32.42	2376	ES3-24-750	ES1-24-600+	EH3-24-1500	
					E100D	25.56" - 26.00"	700	32.42	2544	ES3-24-750	ES1-24-600+	EH3-24-1500	
			506777X (FC2)/507601X (FC1)	507601X(FC1) / 506556X(FC2)		E100X	22.81" - 23.36"	700	32.42	2400			
			97701(97701)	97700(97700)	500038(500038)	E110	22.81" - 23.36"	770	35.67	2424	ES3-24-850	ES1-24-600+	EH3-24-1500
			504102V(503723V)			E120S	30.56" - 31.06"	840	38.91	3408	SES3-24-850	SES1-24-600+	SES3-24-850
			504102W(503723W)			E125	30.56" - 31.06"	875	40.53	3168	ES3-24-950	N/A	EH3-24-1500
			504102D(503723D)			E125D	30.56" - 31.06"	875	40.53	3168	ES3-24-950	N/A	EH3-24-1500
			504102L(503723L)			E140	30.56" - 31.06"	980	45.39	3264	ES3-24-1050	N/A	EH3-24-1500
						E140X	30.56" - 31.06"	980	45.39	3264			
			504102S(503723S)			E155	30.56" - 31.06"	1085	50.26	3288	ES3-24-1200	N/A	EH3-24-1500
		69855G(80690G)	67433G(73381G)	80049G(501527G)	85G	22.81" - 23.36"	595	27.56	2280	ES3-24-680	ES1-24-600	EH3-24-1500	
		69855P(80690P)	67433P(73381P)	80049P(501527P)	85P	22.81" - 23.36"	595	27.56	2328	ES3-24-680	ES1-24-600	EH3-24-1500	
			506727P (FC1)		85PFC	22.81" - 23.36"	595	27.56	2328				
		500119G	501885G		100G	25.56" - 26.00"	700	32.42	2640	ES3-24-750	ES1-24-600+	EH3-24-1500	
		500119P	501885P		100P	25.56" - 26.00"	700	32.42	2736	ES3-24-750	ES1-24-600+	EH3-24-1500	
		504102G(503723G)			125G	30.56" - 31.06"	875	40.53	3216	ES3-24-950	ES1-24-600+	EH3-24-1500	
		504102P(503723P)			125P	30.56" - 31.06"	875	40.53	3264	ES3-24-950	ES1-24-600+	EH3-24-1500	
		507384P (FC1) 506839P (FC2)			125PFC	30.56" - 31.06"	875	40.53	3264				

(1) Also available are E28S (11.06"H), E45S (14.06"H), E55L (14.87"H), and 55GL (14.87"H)

(2) Caution: Weights may vary by +/-5%

* All batteries are standard layouts. Contact Sales for additional sizes and layouts

(3) If N/C and W/C are showing same part #, this designates a convertible [C] style tray. See "Typical Battery Configurations" at front of book for details.

(+) Indicates Recharge Times That May Exceed 8 Hours.

48 VOLT-24 CELL

Sit-down Rider Truck Layouts

Plates Per Cell	Plate Type	(3) Standard Dimensions and Catalog Numbers N/C-(W/C)			Cell Type (1)	Height in Inches		Capacity 6 Hr. Rate		Approx Weight (2)	Recommended Chargers		
		Length x Width	Length x Width	Length x Width		N/C - W/C	A.H.	KWH	Pounds		Three Phase	Single Phase	Performance
		38.38" x 26.72"											
17	Square Tube	500558V(95758V)			E60S	18.44" - 18.56"	480	22.23	2160	SES3-24-550	SES1-24-600	SES3-24-550	
		500558(95758)			E75L	18.94" - 19.56"	600	27.79	2160	ES3-24-680	ES1-24-600	EH3-24-1500	
		500558G(95758G)			75GL	18.94" - 19.56"	600	27.79	2160	ES3-24-680	ES1-24-600	EH3-24-1500	
		75976(82140)			E75	22.69" - 23.36"	600	27.79	2400	ES3-24-680	ES1-24-600	EH3-24-1500	
		75976G(82140G)			75G	22.69" - 23.36"	600	27.79	2400	ES3-24-680	ES1-24-600	EH3-24-1500	
		66584V(66297V)			E80S	22.81" - 23.36"	640	29.64	3048	SES3-24-680	SES1-24-600	SES3-24-680*	
		66584(66297)			E85	22.69" - 23.36"	680	31.50	2544	ES3-24-680	ES1-24-600	EH3-24-1500	
		66584D(66297D)			E85D	22.81" - 23.36"	680	31.50	2575	ES3-24-680	ES1-24-600	EH3-24-1500	
		97588(97589)			E100	22.69" - 23.36"	800	37.06	2712	ES3-24-850	ES1-24-600+	EH3-24-1500	
					E100D	25.56" - 26.00"	800	37.06	2832	ES3-24-850	ES1-24-600+	EH3-24-1500	
		506588X (FC1) 506790X (FC2)			E100X	22.81" - 23.36"	800	37.06	2731				
		97702(97702)			E110	22.81" - 23.36"	880	40.76	2760	ES3-24-950	N/A	EH3-24-1500	
		503721V			E120S	30.56" - 31.06"	960	44.47	3864	SES3-24-1050*	N/A	SES3-24-1050	
		503721W			E125	30.56" - 31.06"	1000	46.32	3600	ES3-24-1050	N/A	EH3-24-1500	
		503721D			E125D	30.56" - 31.06"	1000	46.32	3600	ES3-24-1050	N/A	EH3-24-1500	
		503721L			E140	30.56" - 31.06"	1120	51.88	3696	ES3-24-1200	N/A	EH3-24-1500	
		506871X (FC2)			E140X	30.56" - 31.06"	1120	51.88	3696				
	503721S			E155	30.56" - 31.06"	1240	57.44	3744	ES3-24-1500	N/A	EH3-24-1500		
	Flat Plate	66584G(66297G)			85G	22.81" - 23.36"	680	31.50	2568	ES3-24-680	ES1-24-600+	EH3-24-1500	
		66584P(66297P)			85P	22.81" - 23.36"	680	31.50	2616	ES3-24-680	ES1-24-600+	EH3-24-1500	
		506931P (FC1) 507266P (FC2)			85PFC	22.81" - 23.36"	680	31.50	2616				
		500128G(504100G)			100G	25.56" - 26.00"	800	37.06	2976	ES3-24-850	ES1-24-600+	EH3-24-1500	
		500128P(504100P)			100P	25.56" - 26.00"	800	37.06	3072	ES3-24-850	ES1-24-600+	EH3-24-1500	
		503721G			125G	30.56" - 31.06"	1000	46.32	3672	ES3-24-1050	N/A	EH3-24-1500	
		503721P			125P	30.56" - 31.06"	1000	46.32	3744	ES3-24-1050	N/A	EH3-24-1500	
		506745P (FC1)			125PFC	30.56" - 31.06"	1000	46.32	3744				
		38.33" x 30.02"											
		19	Square Tube	98027V			E60S	18.44" - 18.56"	540	25.01	2400	SES3-24-550	SES1-24-600
98027						E75L	18.94" - 19.56"	675	31.27	2400	ES3-24-680	ES1-24-600+	EH3-24-1500
98027G					75GL	18.94" - 19.56"	675	31.27	2400	ES3-24-680	ES1-24-600+	EH3-24-1500	
63001(79643)					E75	22.69" - 23.36"	675	31.27	2664	ES3-24-680	ES1-24-600+	EH3-24-1500	
63001G(79643G)					75G	22.69" - 23.36"	675	31.27	2664	ES3-24-680	ES1-24-600+	EH3-24-1500	
68666V(71141V)					E80S	22.81" - 23.36"	720	33.35	3240	SES3-24-750	SES1-24-600+	SES3-24-750	
68666(71141)					E85	22.69" - 23.36"	765	35.43	2832	ES3-24-850	ES1-24-600+	EH3-24-1500	
68666D(71141D)					E85D	22.81" - 23.36"	765	35.43	2863	ES3-24-850	ES1-24-600+	EH3-24-1500	
97590(97591)					E100	22.69" - 23.36"	900	41.69	3024	ES3-24-950	N/A	EH3-24-1500	
					E100D	25.56" - 26.00"	900	41.69	3144	ES3-24-950	N/A	EH3-24-1500	
506780X (FC1) 506604X (FC2)					E100X	22.81" - 23.36"	900	41.69	3065				
97705(97705)					E110	22.81" - 23.36"	990	45.86	3096	ES3-24-1050	N/A	EH3-24-1500	
504133V					E120S	30.56" - 31.06"	1080	50.03	4224	SES3-24-1200	N/A	SES3-24-1200	
504133W					E125	30.56" - 31.06"	1125	52.11	4032	ES3-24-1200	N/A	EH3-24-1500	
504133D					E125D	30.56" - 31.06"	1125	52.11	4032	ES3-24-1200	N/A	EH3-24-1500	
504133L					E140	30.56" - 31.06"	1260	58.36	4128	ES3-24-1500	N/A	EH3-24-1500	
					E140X	30.56" - 31.06"	1260	58.36	4128				
504133S				E155	30.56" - 31.06"	1395	64.62	4176	ES3-24-1500	N/A	EH3-24-1500		
Flat Plate	68666G(71141G)				85G	22.81" - 23.36"	765	35.43	2856	ES3-24-850	ES1-24-600+	EH3-24-1500	
	68666P(71141P)				85P	22.81" - 23.36"	765	35.43	2880	ES3-24-850	ES1-24-600+	EH3-24-1500	
	506813P (FC1) 506687P (FC2)				85PFC	22.81" - 23.36"	765	35.43	2880				
	501001G				100G	25.56" - 26.00"	900	41.69	3336	ES3-24-950	N/A	EH3-24-1500	
	501001P				100P	25.56" - 26.00"	900	41.69	3456	ES3-24-950	N/A	EH3-24-1500	
	504133G				125G	30.56" - 31.06"	1125	52.11	4080	ES3-24-1200	N/A	EH3-24-1500	
	504133P				125P	30.56" - 31.06"	1125	52.11	4200	ES3-24-1200	N/A	EH3-24-1500	
					125PFC	30.56" - 31.06"	1125	52.11	4200				

(1) Also available are E28S (11.06"H), E45S (14.06"H), E55L (14.87"H), and 55GL (14.87"H)

(2) Caution: Weights may vary by +/-5%

* All batteries are standard layouts. Contact Sales for additional sizes and layouts

(3) If N/C and W/C are showing same part #, this designates a convertible [C] style tray. See "Typical Battery Configurations" at front of book for details.

(+) Indicates Recharge Times That May Exceed 8 Hours.

48 VOLT-24 CELL

Sit-down Rider Truck Layouts

Plates Per Cell	Plate Type	(3) Standard Dimensions and Catalog Numbers N/C-(W/C)			Cell Type (1)	Height in Inches		Capacity 6 Hr. Rate		Approx Weight (2)	Recommended Chargers			
		Length x Width	Length x Width	Length x Width		N/C - W/C	A.H.	KWH	Pounds		Three Phase	Single Phase	Performance	
21	Square Tube	38.33" x 32.72"			E60S	18.44" - 18.56"	600	27.79	2664	2664	SES3-24-680	SES1-24-600	SES3-24-680	
					E75L	18.94" - 19.56"	750	34.74	2640	2640	ES3-24-750	ES1-24-600+	EH3-24-1500	
					75GL	18.94" - 19.56"	750	34.74	2640	2640	ES3-24-750	ES1-24-600+	EH3-24-1500	
			88146(88149)			E75	22.69" - 23.36"	750	34.74	2928	2928	ES3-24-750	ES1-24-600+	EH3-24-1500
			88146G(88149G)			75G	22.69" - 23.36"	750	34.74	2928	2928	ES3-24-750	ES1-24-600+	EH3-24-1500
			88147V(88150V)			E80S	22.81" - 23.36"	800	37.06	3552	3552	SES3-24-850	SES1-24-600+	SES3-24-850
			88147(88150)			E85	22.69" - 23.36"	850	39.37	3120	3120	ES3-24-850	N/A	EH3-24-1500
			88147D(88150D)			E85D	22.81" - 23.36"	850	39.37	3158	3158	ES3-24-850	N/A	EH3-24-1500
			97592(97593)			E100	22.69" - 23.36"	1000	46.32	3360	3360	ES3-24-1050	N/A	EH3-24-1500
						E100D	25.56" - 26.00"	1000	46.32	3480	3480	ES3-24-1050	N/A	EH3-24-1500
			506833X (FC1) 506528X (FC2)			E100X	22.81" - 23.36"	1000	46.32	3396	3396			
			97706(506354S)			E110	22.81" - 23.36"	1100	50.95	3432	3432	ES3-24-1200	N/A	EH3-24-1500
			504017V			E120S	30.56" - 31.06"	1200	55.58	4656	4656	SES3-24-1200	N/A	SES3-24-1200
			504017W			E125	30.56" - 31.06"	1250	57.90	4416	4416	ES3-24-1500	N/A	EH3-24-1500
			504017D			E125D	30.56" - 31.06"	1250	57.90	4416	4416	ES3-24-1500	N/A	EH3-24-1500
			504017L			E140	30.56" - 31.06"	1400	64.85	4584	4584	ES3-24-1500	N/A	EH3-24-1500
						E140X	30.56" - 31.06"	1400	64.85	4584	4584			
		504017S			E155	30.56" - 31.06"	1550	71.80	4632	4632	ES3-24-1700	N/A	EH3-24-1500	
		Flat Plate	88147G(88150G)			E5G	22.81" - 23.36"	850	39.37	3144	3144	ES3-24-850	N/A	EH3-24-1500
			88147P(88150P)			E5P	22.81" - 23.36"	850	39.37	3192	3192	ES3-24-850	N/A	EH3-24-1500
			507013P (FC1) 506755P (FC2)			E5PFC	22.81" - 23.36"	850	39.37	3192	3192			
			98146G(500733G)			100G	25.56" - 26.00"	1000	46.32	3600	3600	ES3-24-1050	N/A	EH3-24-1500
			98146P(500733P)			100P	25.56" - 26.00"	1000	46.32	3744	3744	ES3-24-1050	N/A	EH3-24-1500
			504017G			125G	30.56" - 31.06"	1250	57.90	4488	4488	ES3-24-1500	N/A	EH3-24-1500
			504017P			125P	30.56" - 31.06"	1250	57.90	4656	4656	ES3-24-1500	N/A	EH3-24-1500
					125PFC	30.56" - 31.06"	1250	57.90	4656	4656				
		38.65" x 36.03"												
23	Square Tube	502536V			E60S	18.44" - 18.56"	660	30.57	2904	2904	SES3-24-680	SES1-24-600	SES3-24-680	
		502536			E75L	18.94" - 19.56"	825	38.21	2904	2904	ES3-24-850	ES1-24-600+	EH3-24-1500	
		502536G			75GL	18.94" - 19.56"	825	38.21	2904	2904	ES3-24-850	ES1-24-600+	EH3-24-1500	
		75368(73150)			E75	22.69" - 23.36"	825	38.21	3216	3216	ES3-24-850	ES1-24-600+	EH3-24-1500	
		75368G(73150G)			75G	22.69" - 23.36"	825	38.21	3216	3216	ES3-24-850	ES1-24-600+	EH3-24-1500	
		68274V(68985V)			E80S	22.81" - 23.36"	880	40.76	3864	3864	SES3-24-950	N/A	SES3-24-950	
		68274(68985)			E85	22.69" - 23.36"	935	43.31	3432	3432	ES3-24-950	N/A	EH3-24-1500	
		68274D(68985D)			E85D	22.81" - 23.36"	935	43.31	3473	3473	ES3-24-950	N/A	EH3-24-1500	
		97594(97595)			E100	22.69" - 23.36"	1100	50.95	3648	3648	ES3-24-1200	N/A	EH3-24-1500	
						E100D	25.56" - 26.00"	1100	50.95	3864	3864	ES3-24-1200	N/A	EH3-24-1500
			507071X (FC1) 506953X (FC2)			E100X	22.81" - 23.36"	1100	50.95	3681	3681			
			97707(97707)			E110	22.81" - 23.36"	1210	56.05	3720	3720	ES3-24-1200	N/A	EH3-24-1500
						E120S	30.56" - 31.06"	1320	61.14	5040	5040	SES3-24-1500	N/A	SES3-24-1500
						E125	30.56" - 31.06"	1375	63.69	4848	4848	ES3-24-1500	N/A	EH3-24-1500
						E125D	30.56" - 31.06"	1375	63.69	4848	4848	ES3-24-1500	N/A	EH3-24-1500
						E140	30.56" - 31.06"	1540	71.33	4968	4968	ES3-24-1700	N/A	EH3-24-1500
						E140X	30.56" - 31.06"	1540	71.33	4968	4968			
					E155	30.56" - 31.06"	1705	78.98	5016	5016	ES3-24-1700	N/A	ES3-24-1600+	
		Flat Plate	68274G(68985G)			E5G	22.81" - 23.36"	1020	47.25	3456	3456	ES3-24-1050	N/A	EH3-24-1500
			68274P(68985P)			E5P	22.81" - 23.36"	1020	47.25	3504	3504	ES3-24-1050	N/A	EH3-24-1500
			507180P (FC1) 506782P (FC2)			E5PFC	22.81" - 23.36"	1020	47.25	3504	3504			
			500458G(98532G)			100G	25.56" - 26.00"	1200	55.58	3912	3912	ES3-24-1200	N/A	EH3-24-1500
			500458P(98532P)			100P	25.56" - 26.00"	1200	55.58	4032	4032	ES3-24-1200	N/A	EH3-24-1500
						125G	30.56" - 31.06"	1500	69.48	4944	4944	ES3-24-1500	N/A	EH3-24-1500
						125P	30.56" - 31.06"	1500	69.48	5088	5088	ES3-24-1500	N/A	EH3-24-1500
					125PFC	30.56" - 31.06"	1500	69.48	5088	5088				

(1) Also available are E28S (11.06"H), E45S (14.06"H), E55L (14.87"H), and 55GL (14.87"H)

(2) Caution: Weights may vary by +/-5%

* All batteries are standard layouts. Contact Sales for additional sizes and layouts

(3) If N/C and W/C are showing same part #, this designates a convertible [C] style tray. See "Typical Battery Configurations" at front of book for details.

(+) Indicates Recharge Times That May Exceed 8 Hours.

48 VOLT-24 CELL

Sit-down Rider Truck Layouts

Plates Per Cell	Plate Type	(3) Standard Dimensions and Catalog Numbers N/C-(W/C)			Cell Type (1)	Height in Inches	Capacity		Approx Weight (2)	Recommended Chargers			
		Length x Width	Length x Width	Length x Width			6 Hr. Rate	A.H.		KWH	Pounds	Three Phase	Single Phase
29	Square Tube	45.06" x 38.68"			E60S	18.44" - 18.56"	840	38.91	3720	SES3-24-850	SES1-24-600+	SES3-24-850	
		92652V			E75L	18.94" - 19.56"	1050	48.64	3696	ES3-24-1050	N/A	EH3-24-1500	
		92652			75GL	18.94" - 19.56"	1050	48.64	3696	ES3-24-1050	N/A	EH3-24-1500	
		92652G			E75	22.69" -23.36"	1050	48.64	4104	ES3-24-1050	N/A	EH3-24-1500	
		86182(88994)			75G	22.69" -23.36"	1050	48.64	4104	ES3-24-1050	N/A	EH3-24-1500	
		86182G(88994G)			E80S	22.81" - 23.36"	1120	51.88	4800	SES3-24-1200	N/A	SES3-24-1200	
		74691V(80544V)			E85	22.69" - 23.36"	1190	55.12	4368	ES3-24-1200	N/A	EH3-24-1500	
		74691(80544)			E85D	22.81" - 23.36"	1190	55.12	4421	ES3-24-1200	N/A	EH3-24-1500	
		74691D(80544D)			E100	22.69" - 23.36"	1400	64.85	4680	ES3-24-1500	N/A	EH3-24-1500	
		500261(500262)			E100D	25.56" - 26.00"	1400	64.85	4896	ES3-24-1500	N/A	EH3-24-1500	
		97710(97710)			E110	22.81" - 23.36"	1540	71.33	4776	ES3-24-1600	N/A	EH3-24-1500	
					E120S	30.56" - 31.06"	1680	77.82	6192	SES3-24-1600+	N/A	SES3-24-1600+	
					E125	30.56" - 31.06"	1750	81.06	6048	ES3-24-1600+	N/A	ES3-24-1600+	
					E125D	30.56" - 31.06"	1750	81.06	6048	ES3-24-1600+	N/A	ES3-24-1600+	
					E140	30.56" - 31.06"	1960	90.79	6120	ES3-24-1600+	N/A	ES3-24-1600+	
				E155	30.56" - 31.06"	2170	100.51	6168	ES3-24-1600+	N/A	ES3-24-1600+		
		Flat Plate	74691G(80544G)			85G	22.81" -23.36"	1190	55.12	4392	ES3-24-1200	N/A	EH3-24-1500
			74691P(80544P)			85P	22.81" -23.36"	1190	55.12	4440	ES3-24-1200	N/A	EH3-24-1500
			(500043G)			100G	25.56" - 26.00"	1400	64.85	4968	ES3-24-1500	N/A	EH3-24-1500
			(500043P)			100P	25.56" - 26.00"	1400	64.85	5160	ES3-24-1500	N/A	EH3-24-1500
					125G	30.56" - 31.06"	1750	81.06	5976	ES3-24-1600+	N/A	ES3-24-1600+	
				125P	30.56" - 31.06"	1750	81.06	6144	ES3-24-1600+	N/A	ES3-24-1600+		
		48.06" x 38.60"											
31	Square Tube	92654V			E60S	18.44" - 18.56"	900	41.69	3912	SES3-24-950	N/A	SES3-24-950	
		92654			E75L	18.94" - 19.56"	1125	52.11	3888	ES3-24-1200	N/A	EH3-24-1500	
		92654G			75GL	18.94" - 19.56"	1125	52.11	3888	ES3-24-1200	N/A	EH3-24-1500	
		88403(88403)			E75	22.69" -23.36"	1125	52.11	4344	ES3-24-1200	N/A	EH3-24-1500	
		88403G(88403G)			75G	22.69" -23.36"	1125	52.11	4344	ES3-24-1200	N/A	EH3-24-1500	
		88404V(88404V)			E80S	22.81" - 23.36"	1200	55.58	5112	SES3-24-1200	N/A	SES3-24-1600	
		88404(88404)			E85	22.69" - 23.36"	1275	59.06	4608	ES3-24-1500	N/A	EH3-24-1500	
		88404D(88404D)			E85D	22.81" - 23.36"	1275	59.06	4663	ES3-24-1500	N/A	EH3-24-1500	
		97600(97600)			E100	22.69" - 23.36"	1500	69.48	4944	ES3-24-1500	N/A	EH3-24-1500	
					E100D	25.56" - 26.00"	1500	69.48	5256	ES3-24-1500	N/A	EH3-24-1500	
				E110	22.81" - 23.36"	1650	76.43	5040	ES3-24-1600+	N/A	EH3-24-1600+		
		Flat	88404G(88404G)			85G	22.81" -23.36"	1275	59.06	4656	ES3-24-1500	N/A	EH3-24-1500
			88404P(88404P)			85P	22.81" -23.36"	1275	59.06	4704	ES3-24-1500	N/A	EH3-24-1500
						100G	25.56" - 26.00"	1500	69.48	5280	ES3-24-1500	N/A	EH3-24-1500
						100P	25.56" - 26.00"	1500	69.48	5472	ES3-24-1500	N/A	EH3-24-1500

(1) Also available are E28S (11.06"H), E45S (14.06"H), E55L (14.87"H), and 55GL (14.87"H)

(2) Caution: Weights may vary by +/-5%

* All batteries are standard layouts. Contact Sales for additional sizes and layouts

(3) If N/C and W/C are showing same part #, this designates a convertible [C] style tray. See "Typical Battery Configurations" at front of book for details.

(+) Indicates Recharge Times That May Exceed 8 Hours.

48 VOLT-24 CELL

Sit-down Rider Truck Layouts

Plates Per Cell	Plate Type	(3) Standard Dimensions and Catalog Numbers N/C-(W/C)			Cell Type (1)	Height in Inches N/C - W/C	Capacity 6 Hr. Rate		Approx Weight (2) Pounds	Recommended Chargers		
		Length x Width	Length x Width	Length x Width			A.H.	KWH		Three Phase	Single Phase	Performance
33	Square Tube	44.88" x 44.93"			E60S	18.44" - 18.56"	960	44.47	4104	SES3-24-1050	N/A	SES3-24-1050
					E75L	18.94" - 19.56"	1200	55.58	4104	ES3-24-1200	N/A	EH3-24-1500
					75GL	18.94" - 19.56"	1200	55.58	4104	ES3-24-1200	N/A	EH3-24-1500
					E75	22.69" -23.36"	1200	55.58	4560	ES3-24-1200	N/A	EH3-24-1500
					75G	22.69" -23.36"	1200	55.58	4560	ES3-24-1200	N/A	EH3-24-1500
		501674V(501580V)			E80S	22.81" - 23.36"	1280	59.29	5520	SES3-24-1500	N/A	SES3-24-1500
		501674(501580)			E85	22.69" - 23.36"	1360	63.00	4848	ES3-24-1500	N/A	EH3-24-1500
		501674D(501580D)			E85D	22.81" - 23.36"	1360	63.00	4908	ES3-24-1500	N/A	EH3-24-1500
		500517(500483)			E100	22.69" - 23.36"	1600	74.11	5184	ES3-24-1600	N/A	EH3-24-1500+
					E100D	25.56" - 26.00"	1600	74.11	5616	ES3-24-1600	N/A	EH3-24-1500+
	501006(501562)			E110	22.81" - 23.36"	1760	81.52	5280	ES3-24-1600+	N/A	ES3-24-1600+	
	Flat	501431G(500629G)			85G	22.81" -23.36"	1360	63.00	4944	ES3-24-1500	N/A	EH3-24-1500
		501431P(500629P)			85P	22.81" -23.36"	1360	63.00	5016	ES3-24-1500	N/A	EH3-24-1500
					100G	25.56" - 26.00"	1600	74.11	5640	ES3-24-1600	N/A	EH3-24-1500+
					100P	25.56" - 26.00"	1600	74.11	5856	ES3-24-1600	N/A	EH3-24-1500+

(1) Also available are E28S (11.06"H), E45S (14.06"H), E55L (14.87"H), and 55GL (14.87"H)

(2) Caution: Weights may vary by +/-5%

* All batteries are standard layouts. Contact Sales for additional sizes and layouts

(3) If N/C and W/C are showing same part #, this designates a convertible [C] style tray. See "Typical Battery Configurations" at front of book for details.

(+) Indicates Recharge Times That May Exceed 8 Hours.

72 VOLT-36 CELL

Sit-down Riders and Specialty Truck Layouts

Plates Per Cell	Plate Type	(3) Standard Dimensions and Catalog Numbers N/C-(W/C)			Cell Type (1)	Height in Inches N/C - W/C	Capacity		Approx Weight (2) Pounds	Recommended Chargers			
		Length x Width	Length x Width	Length x Width			6 Hr. Rate	A.H.		KWH	Three Phase	Single Phase	Performance
		56.69" x 11.48"	38.33" x 17.56"	33.76" x 19.04"									
7	Square Tube				E80S	22.81" - 23.36"	240	16.68	1836	SES3-36-450	N/A	SES3-36-450	
					E85	22.69" - 23.36"	255	17.72	1656	ES3-36-450	N/A	ES3-36-450	
					E85D	22.81" - 23.36"	255	17.72	1678	ES3-36-450	N/A	ES3-36-450	
					E100	22.69" - 23.36"	300	20.84	1692	ES3-36-450	N/A	ES3-36-450	
					E100D	25.56" - 26.00"	300	20.84	1764	ES3-36-450	N/A	ES3-36-450	
					E110	22.81" - 23.36"	330	22.93	1728	ES3-36-450	N/A	ES3-36-450	
		(504099V)			E120S	30.56" - 31.06"	360	25.01	2484	SES3-36-450	N/A	SES3-36-450	
		(504099W)			E125	30.56" - 31.06"	375	26.06	2376	ES3-36-450	N/A	ES3-36-450	
		(504099D)			E125D	30.56" - 31.06"	375	26.06	2376	ES3-36-450	N/A	ES3-36-450	
		(504099)			E140	30.56" - 31.06"	420	29.18	2448	ES3-36-450	N/A	ES3-36-450	
	(504099)			E155	30.56" - 31.06"	465	32.31	2484	ES3-36-550	N/A	ES3-36-450		
	Flat Plate				85G	22.81" - 23.36"	255	17.72	1692	ES3-36-450	N/A	ES3-36-450	
					85P	22.81" - 23.36"	255	17.72	1728	ES3-36-450	N/A	ES3-36-450	
					100G	25.56" - 26.00"	300	20.84	1800	ES3-36-450	N/A	ES3-36-450	
					100P	25.56" - 26.00"	300	20.84	1872	ES3-36-450	N/A	ES3-36-450	
		(504099G)			125G	30.56" - 31.06"	375	26.06	2412	ES3-36-450	N/A	ES3-36-450	
		(504099P)			125P	30.56" - 31.06"	375	26.06	2448	ES3-36-450	N/A	ES3-36-450	
			57.25" x 14.73"	38.27" x 22.06"	32.77" x 25.44"								
	9	Square Tube			(85783V)	E80S	22.81" - 23.36"	320	22.23	2340	SES3-36-450	N/A	SES3-36-450
					(85783)	E85	22.69" - 23.36"	340	23.62	2016	ES3-36-450	N/A	ES3-36-450
				(85783D)	E85D	22.81" - 23.36"	340	23.62	2041	ES3-36-450	N/A	ES3-36-450	
(502490)			507300L(507297L)		E100	22.69" - 23.36"	400	27.79	2160	ES3-36-450	N/A	ES3-36-450	
					E100D	25.56" - 26.00"	400	27.79	2340	ES3-36-450	N/A	ES3-36-450	
					E110	22.81" - 23.36"	440	30.57	2196	ES3-36-450	N/A	ES3-36-450	
505552V(504204V)					E120S	30.56" - 31.06"	480	33.35	3276	SES3-36-450	N/A	SES3-36-450	
505552W(504204W)					E125	30.56" - 31.06"	500	34.74	2988	ES3-36-550	N/A	ES3-36-550	
505552D(504204D)					E125D	30.56" - 31.06"	500	34.74	2988	ES3-36-550	N/A	ES3-36-550	
505552L(504204L)					E140	30.56" - 31.06"	560	38.91	3132	ES3-36-680	N/A	ES3-36-680	
505552S(504204S)				E155	30.56" - 31.06"	620	43.08	3168	ES3-36-680	N/A	ES3-36-680		
Flat Plate					(85783G)	85G	22.81" - 23.36"	340	23.62	2052	ES3-36-450	N/A	ES3-36-450
					(85783P)	85P	22.81" - 23.36"	340	23.62	2124	ES3-36-450	N/A	ES3-36-450
						100G	25.56" - 26.00"	400	27.79	2340	ES3-36-450	N/A	ES3-36-450
				(98392G)		100P	25.56" - 26.00"	400	27.79	2412	ES3-36-450	N/A	ES3-36-450
				(98392P)		125G	30.56" - 31.06"	500	34.74	3024	ES3-36-550	N/A	ES3-36-550
		505552G(504204G)				125P	30.56" - 31.06"	500	34.74	3060	ES3-36-550	N/A	ES3-36-550
		505552P(504204P)											

(1) Also available are E28S (11.06"H), E45S (14.06"H), E55L / 55GL (14.87"H), E60S (18.44"H) and E75L / 75GL (18.94"H)

(2) Caution: Weights may vary by +/-5%

* All batteries are standard layouts. Contact Sales for additional sizes and layouts

(3) If N/C and W/C are showing same part #, this designates a convertible [C] style tray. See "Typical Battery Configurations" at front of book for details.

(+) Indicates Recharge Times That May Exceed 8 Hours.

72 VOLT-36 CELL

Sit-down Riders and Specialty Truck Layouts

Plates Per Cell	Plate Type	(3) Standard Dimensions and Catalog Numbers N/C-(W/C)			Cell Type (1)	Height in Inches N/C - W/C	Capacity		Approx Weight (2) Pounds	Recommended Chargers		
		Length x Width	Length x Width	Length x Width			6 Hr. Rate			Three Phase	Single Phase	Performance
		61.54" x 17.31"	38.27" x 26.68"				A.H.	KWH				
11	Square Tube		(84483V)		E80S	22.81" - 23.36"	400	27.79	2844	SES3-36-450	N/A	SES3-36-450
			(84483)		E85	22.69" - 23.36"	425	29.53	2484	ES3-36-450	N/A	ES3-36-450
			(84483D)		E85D	22.81" - 23.36"	425	29.53	2513	ES3-36-450	N/A	ES3-36-450
			98660		E100	22.69" - 23.36"	500	34.74	2628	ES3-36-550	N/A	ES3-36-550
					E100D	25.56" - 26.00"	500	34.74	2808	ES3-36-550	N/A	ES3-36-550
			500129(500129)		E110	22.81" - 23.36"	550	38.21	2664	ES3-36-550	N/A	ES3-36-550
					E120S	30.56" - 31.06"	600	41.69	3888	SES3-36-680	N/A	SES3-36-680
					E125	30.56" - 31.06"	625	43.43	3600	ES3-36-680	N/A	ES3-36-680
					E125D	30.56" - 31.06"	625	43.43	3600	ES3-36-680	N/A	ES3-36-680
					E140	30.56" - 31.06"	700	48.64	3780	ES3-36-850	N/A	ES3-36-850
					E155	30.56" - 31.06"	775	53.85	3852	ES3-36-850	N/A	ES3-36-850
	Flat Plate		(84483G)		85G	22.81" - 23.36"	425	29.53	2520	ES3-36-450	N/A	ES3-36-450
			(84483P)		85P	22.81" - 23.36"	425	29.53	2592	ES3-36-450	N/A	ES3-36-450
			500019G		100G	25.56" - 26.00"	500	34.74	2808	ES3-36-550	N/A	ES3-36-550
			500019P		100P	25.56" - 26.00"	500	34.74	2880	ES3-36-550	N/A	ES3-36-550
					125G	30.56" - 31.06"	625	43.43	3636	ES3-36-680	N/A	ES3-36-680
				125P	30.56" - 31.06"	625	43.43	3672	ES3-36-680	N/A	ES3-36-680	
			57.27" x 21.10"	38.28" x 31.06"								
	13	Square Tube		76125V(84055V)		E80S	22.81" - 23.36"	480	33.35	3348	SES3-36-450	N/A
			76125(84055)		E85	22.69" - 23.36"	510	35.43	2808	ES3-36-550	N/A	ES3-36-550
			76125D(84055D)		E85D	22.81" - 23.36"	510	35.43	2948	ES3-36-550	N/A	ES3-36-550
			505483		E100	22.69" - 23.36"	600	41.69	3096	ES3-36-680	N/A	ES3-36-680
					E100D	25.56" - 26.00"	600	41.69	3276	ES3-36-680	N/A	ES3-36-680
(502227)			99593(99593)		E110	22.81" - 23.36"	660	45.86	3168	ES3-36-680	N/A	ES3-36-680
			505467V		E120S	30.56" - 31.06"	720	50.03	4500	SES3-36-850	N/A	SES3-36-850
			505467W		E125	30.56" - 31.06"	750	52.11	4176	ES3-36-850	N/A	ES3-36-850
			505467D		E125D	30.56" - 31.06"	750	52.11	4176	ES3-36-850	N/A	ES3-36-850
			505467L		E140	30.56" - 31.06"	840	58.36	4320	ES3-36-850	N/A	ES3-36-850
			505467S		E155	30.56" - 31.06"	930	64.62	4356	ES3-36-1050	N/A	ES3-36-1050
Flat Plate			502082G(502425G)		85G	22.81" - 23.36"	510	35.43	2916	ES3-36-550	N/A	ES3-36-550
			502082P(502425P)		85P	22.81" - 23.36"	510	35.43	2988	ES3-36-550	N/A	ES3-36-550
					100G	25.56" - 26.00"	600	41.69	3384	ES3-36-680	N/A	ES3-36-680
					100P	25.56" - 26.00"	600	41.69	3492	ES3-36-680	N/A	ES3-36-680
			505467G		125G	30.56" - 31.06"	750	52.11	4248	ES3-36-850	N/A	ES3-36-850
			505467P		125P	30.56" - 31.06"	750	52.11	4320	ES3-36-850	N/A	ES3-36-850

(1) Also available are E28S (11.06"H), E45S (14.06"H), E55L / 55GL (14.87"H), E60S (18.44"H) and E75L / 75GL (18.94"H)

(2) Caution: Weights may vary by +/-5%

* All batteries are standard layouts. Contact Sales for additional sizes and layouts

(3) If N/C and W/C are showing same part #, this designates a convertible [C] style tray. See "Typical Battery Configurations" at front of book for details.

(+) Indicates Recharge Times That May Exceed 8 Hours.

72 VOLT-36 CELL

Sit-down Riders and Specialty Truck Layouts

Plates Per Cell	Plate Type	(3) Standard Dimensions and Catalog Numbers N/C-(W/C)			Cell Type (1)	Height in Inches N/C - W/C	Capacity		Approx Weight (2) Pounds	Recommended Chargers			
		Length x Width	Length x Width	Length x Width			6 Hr. Rate			Three Phase	Single Phase	Performance	
		57.27" x 24.04"	38.68" x 35.56"				A.H.	KWH					
15	SquareTube				E80S	22.81" - 23.36"	560	38.91	3816	SES3-36-680	N/A	SES3-36-680	
					E85	22.69" - 23.36"	595	41.34	3348	ES3-36-680	N/A	ES3-36-680	
					E85D	22.81" - 23.36"	595	41.34	3391	ES3-36-680	N/A	ES3-36-680	
					E100	22.69" - 23.36"	700	48.64	3564	ES3-36-850	N/A	ES3-36-850	
					E100D	25.56" - 26.00"	700	48.64	3816	ES3-36-850	N/A	ES3-36-850	
					E110	22.81" - 23.36"	770	53.50	3636	ES3-36-850	N/A	ES3-36-850	
					E120S	30.56" - 31.06"	840	58.36	5112	SES3-36-850	N/A	SES3-36-850	
					E125	30.56" - 31.06"	875	60.80	4752	ES3-36-1050	N/A	ES3-36-1050	
					E125D	30.56" - 31.06"	875	60.80	4752	ES3-36-1050	N/A	ES3-36-1050	
					E140	30.56" - 31.06"	980	68.09	4896	ES3-36-1050	N/A	ES3-36-1050	
				E155	30.56" - 31.06"	1085	75.39	4932	ES3-36-1050	N/A	ES3-36-1050		
		Flat Plate		98382G(502000G)		85G	22.81" -23.36"	595	41.34	3420	ES3-36-680	N/A	ES3-36-680
				98382P(502000P)		85P	22.81" -23.36"	595	41.34	3492	ES3-36-680	N/A	ES3-36-680
						100G	25.56" - 26.00"	700	48.64	3960	ES3-36-850	N/A	ES3-36-850
						100P	25.56" - 26.00"	700	48.64	4104	ES3-36-850	N/A	ES3-36-850
						125G	30.56" - 31.06"	875	60.80	4824	ES3-36-1050	N/A	ES3-36-1050
						125P	30.56" - 31.06"	875	60.80	4896	ES3-36-1050	N/A	ES3-36-1050
			57.27" x 27.04"	39.94" x 38.38"									
17	SquareTube				E80S	22.81" - 23.36"	640	44.47	4572	SES3-36-680	N/A	SES3-36-680	
					E85	22.69" - 23.36"	680	47.25	3816	ES3-36-680	N/A	ES3-36-680	
					E85D	22.81" - 23.36"	680	47.25	3863	ES3-36-680	N/A	ES3-36-680	
				99721	E100	22.69" - 23.36"	800	55.58	4068	ES3-36-850	N/A	ES3-36-850	
					E100D	25.56" - 26.00"	800	55.58	4248	ES3-36-850	N/A	ES3-36-850	
				504031(500976)	E110	22.81" - 23.36"	880	61.14	4140	ES3-36-1050	N/A	ES3-36-1050	
				505282V	E120S	30.56" - 31.06"	960	66.70	5796	SES3-36-1050	N/A	SES3-36-1050	
				505282W	E125	30.56" - 31.06"	1000	69.48	5400	ES3-36-1050	N/A	ES3-36-1050	
				505282D	E125D	30.56" - 31.06"	1000	69.48	5400	ES3-36-1050	N/A	ES3-36-1050	
				505282L	E140	30.56" - 31.06"	1120	77.82	5544	ES3-36-1050+	N/A	ES3-36-1050+	
			505282S	E155	30.56" - 31.06"	1240	86.16	5616	ES3-36-1050+	N/A	ES3-36-1050+		
		Flat Plate				85G	22.81" -23.36"	680	47.25	3852	ES3-36-680	N/A	ES3-36-680
						85P	22.81" -23.36"	680	47.25	3924	ES3-36-680	N/A	ES3-36-680
					502680G(501183G)	100G	25.56" - 26.00"	800	55.58	4464	ES3-36-850	N/A	ES3-36-850
					502680P(501183P)	100P	25.56" - 26.00"	800	55.58	4608	ES3-36-850	N/A	ES3-36-850
					505282G	125G	30.56" - 31.06"	1000	69.48	5508	ES3-36-1050	N/A	ES3-36-1050
					505282P	125P	30.56" - 31.06"	1000	69.48	5616	ES3-36-1050	N/A	ES3-36-1050

(1) Also available are E28S (11.06"H), E45S (14.06"H), E55L / 55GL (14.87"H), E60S (18.44"H) and E75L / 75GL (18.94"H)

(2) Caution: Weights may vary by +/-5%

* All batteries are standard layouts. Contact Sales for additional sizes and layouts

(3) If N/C and W/C are showing same part #, this designates a convertible [C] style tray. See "Typical Battery Configurations" at front of book for details.

(+) Indicates Recharge Times That May Exceed 8 Hours.

72 VOLT-36 CELL

Sit-down Riders and Specialty Truck Layouts

Plates Per Cell	Plate Type	(3) Standard Dimensions and Catalog Numbers N/C-(W/C)			Cell Type (1)	Height in Inches	Capacity 6 Hr. Rate		Approx Weight (2)	Recommended Chargers		
		Length x Width	Length x Width	Length x Width			A.H.	KWH		Pounds	Three Phase	Single Phase
19	Square Tube	44.63" x 38.63"			E80S	22.81" - 23.36"	720	50.03	4860	SES3-36-850	N/A	SES3-36-850
					E85	22.69" - 23.36"	765	53.15	4248	ES3-36-850	N/A	ES3-36-850
					E85D	22.81" - 23.36"	765	53.15	4295	ES3-36-850	N/A	ES3-36-850
					E100	22.69" - 23.36"	900	62.53	4536	ES3-36-1050	N/A	ES3-36-1050
					E100D	25.56" - 26.00"	900	62.53	4716	ES3-36-1050	N/A	ES3-36-1050
					E110	22.81" - 23.36"	990	68.79	4644	ES3-36-1050	N/A	ES3-36-1050
					E120S	30.56" - 31.06"	1080	75.04	6366	SES3-36-1050	N/A	SES3-36-1050
					E125	30.56" - 31.06"	1125	78.17	6048	ES3-36-1050+	N/A	ES3-36-1050+
					E125D	30.56" - 31.06"	1125	78.17	6048	ES3-36-1050+	N/A	ES3-36-1050+
					E140	30.56" - 31.06"	1260	87.54	6192	ES3-36-1050+	N/A	ES3-36-1050+
					E155	30.56" - 31.06"	1395	96.92	6264	ES3-36-1050+	N/A	ES3-36-1050+
	Flat Plate		506660G		85G	22.81" - 23.36"	765	53.15	4284	ES3-36-850	N/A	ES3-36-850
					85P	22.81" - 23.36"	765	53.15	4320	ES3-36-850	N/A	ES3-36-850
					100G	25.56" - 26.00"	900	62.53	5004	ES3-36-1050	N/A	ES3-36-1050
					100P	25.56" - 26.00"	900	62.53	5184	ES3-36-1050	N/A	ES3-36-1050
					125G	30.56" - 31.06"	1125	78.17	6120	ES3-36-1050+	N/A	ES3-36-1050+
					125P	30.56" - 31.06"	1125	78.17	6300	ES3-36-1050+	N/A	ES3-36-1050+
			43.93" x 43.93"									
	21	Square Tube			E80S	22.81" - 23.36"	800	55.58	5328	SES3-36-850	N/A	SES3-36-850
				E85	22.69" - 23.36"	850	59.06	4680	ES3-36-850	N/A	ES3-36-850	
				E85D	22.81" - 23.36"	850	59.06	4738	ES3-36-850	N/A	ES3-36-850	
				E100	22.69" - 23.36"	1000	69.48	5040	ES3-36-1050	N/A	ES3-36-1050	
				E100D	25.56" - 26.00"	1000	69.48	5220	ES3-36-1050	N/A	ES3-36-1050	
				E110	22.81" - 23.36"	1100	76.43	5148	ES3-36-1050	N/A	ES3-36-1050	
				E120S	30.56" - 31.06"	1200	83.38	6984	SES3-36-1050+	N/A	SES3-36-1050+	
				E125	30.56" - 31.06"	1250	86.85	6624	ES3-36-1050+	N/A	ES3-36-1050+	
				E125D	30.56" - 31.06"	1250	86.85	6624	ES3-36-1050+	N/A	ES3-36-1050+	
				E140	30.56" - 31.06"	1400	97.27	6876	ES3-36-1050+	N/A	ES3-36-1050+	
				E155	30.56" - 31.06"	1550	107.69	6948	ES3-36-1050+	N/A	ES3-36-1050+	
Flat Plate					85G	22.81" - 23.36"	850	59.06	4716	ES3-36-850	N/A	ES3-36-850
					85P	22.81" - 23.36"	850	59.06	4788	ES3-36-850	N/A	ES3-36-850
					100G	25.56" - 26.00"	1000	69.48	5400	ES3-36-1050	N/A	ES3-36-1050
					100P	25.56" - 26.00"	1000	69.48	5616	ES3-36-1050	N/A	ES3-36-1050
			125G	30.56" - 31.06"	1250	86.85	6732	ES3-36-1050+	N/A	ES3-36-1050+		
			125P	30.56" - 31.06"	1250	86.85	6984	ES3-36-1050+	N/A	ES3-36-1050+		

(1) Also available are E28S (11.06"H), E45S (14.06"H), E55L / 55GL (14.87"H), E60S (18.44"H) and E75L / 75GL (18.94"H)

(2) Caution: Weights may vary by +/-5%

* All batteries are standard layouts. Contact Sales for additional sizes and layouts

(3) If N/C and W/C are showing same part #, this designates a convertible [C] style tray. See "Typical Battery Configurations" at front of book for details.

(+) Indicates Recharge Times That May Exceed 8 Hours.

80 VOLT-40 CELL

Sit-down Riders and Specialty Truck Layouts

Plates Per Cell	Plate Type	(3) Standard Dimensions and Catalog Numbers N/C-(W/C)			Cell Type (1)	Height in Inches N/C - W/C	Capacity		Approx Weight (2) Pounds	Recommended Chargers			
		Length x Width	Length x Width	Length x Width			6 Hr. Rate			Three Phase	Single Phase	Performance	
		63.72" x 11.55"	39.58" x 19.19"				A.H.	KWH					
7	Square Tube		502752V		E80S	22.81" - 23.36"	240	18.53	2040	SES3-40-450	N/A	SES3-40-450	
			502752		E85	22.69" - 23.36"	255	19.69	1840	ES3-40-450	N/A	ES3-40-450	
			502752D		E85D	22.81" - 23.36"	255	19.69	1864	ES3-40-450	N/A	ES3-40-450	
					E100	22.69" - 23.36"	300	23.16	1880	ES3-40-450	N/A	ES3-40-450	
					E100D	25.56" - 26.00"	300	23.16	1960	ES3-40-450	N/A	ES3-40-450	
					E110	22.81" - 23.36"	330	25.48	1920	ES3-40-450	N/A	ES3-40-450	
					E120S	30.56" - 31.06"	360	27.79	2760	SES3-40-450	N/A	SES3-40-450	
					E125	30.56" - 31.06"	375	28.95	2640	ES3-40-450	N/A	ES3-40-450	
					E125D	30.56" - 31.06"	375	28.95	2640	ES3-40-450	N/A	ES3-40-450	
					E140	30.56" - 31.06"	420	32.42	2720	ES3-40-450	N/A	ES3-40-450	
					E155	30.56" - 31.06"	465	35.90	2760	ES3-40-550	N/A	ES3-40-550	
		Flat Plate		502752G		85G	22.81" - 23.36"	255	19.69	1820	ES3-40-450	N/A	ES3-40-450
			502752P		85P	22.81" - 23.36"	255	19.69	1920	ES3-40-450	N/A	ES3-40-450	
					100G	25.56" - 26.00"	300	23.16	2000	ES3-40-450	N/A	ES3-40-450	
					100P	25.56" - 26.00"	300	23.16	2080	ES3-40-450	N/A	ES3-40-450	
					125G	30.56" - 31.06"	375	28.95	2680	ES3-40-450	N/A	ES3-40-450	
					125P	30.56" - 31.06"	375	28.95	2720	ES3-40-450	N/A	ES3-40-450	
			63.69" x 14.58"	36.36" x 25.86"									
	9	Square Tube		(505231V)		E80S	22.81" - 23.36"	320	24.70	2600	SES3-40-450	N/A	SES3-40-450
				(505231)		E85	22.69" - 23.36"	340	26.25	2240	ES3-40-450	N/A	ES3-40-450
			(505231D)		E85D	22.81" - 23.36"	340	26.25	2268	ES3-40-450	N/A	ES3-40-450	
					E100	22.69" - 23.36"	400	30.88	2400	ES3-40-450	N/A	ES3-40-450	
					E100D	25.56" - 26.00"	400	30.88	2600	ES3-40-450	N/A	ES3-40-450	
501993					E110	22.81" - 23.36"	440	33.97	2440	ES3-40-450	N/A	ES3-40-450	
			504301V(505151V)		E120S	30.56" - 31.06"	480	37.06	3640	SES3-40-550	N/A	SES3-40-550	
			504301W(505151W)		E125	30.56" - 31.06"	500	38.60	3320	ES3-40-550	N/A	ES3-40-550	
			504301D(505151D)		E125D	30.56" - 31.06"	500	38.60	3320	ES3-40-550	N/A	ES3-40-550	
			504301L(505151L)		E140	30.56" - 31.06"	560	43.23	3480	ES3-40-550	N/A	ES3-40-550	
			504301S(505151S)		E155	30.56" - 31.06"	620	47.86	3520	ES3-40-680	N/A	ES3-40-680	
Flat Plate				(505231G)		85G	22.81" - 23.36"	340	26.25	2280	ES3-40-450	N/A	ES3-40-450
			(505231P)		85P	22.81" - 23.36"	340	26.25	2360	ES3-40-450	N/A	ES3-40-450	
					100G	25.56" - 26.00"	400	30.88	2600	ES3-40-450	N/A	ES3-40-450	
					100P	25.56" - 26.00"	400	30.88	2680	ES3-40-450	N/A	ES3-40-450	
			504301G(505151G)		125G	30.56" - 31.06"	500	38.60	3360	ES3-40-550	N/A	ES3-40-550	
			504301P(505151P)		125P	30.56" - 31.06"	500	38.60	3400	ES3-40-550	N/A	ES3-40-550	

(1) Also available are E28S (11.06"H), E45S (14.06"H), E55L / 55GL (14.87"H), E60S (18.44"H) and E75L / 75GL (18.94"H)

(2) Caution: Weights may vary by +/-5%

* All batteries are standard layouts. Contact Sales for additional sizes and layouts

(3) If N/C and W/C are showing same part #, this designates a convertible [C] style tray. See "Typical Battery Configurations" at front of book for details.

(+) Indicates Recharge Times That May Exceed 8 Hours.

80 VOLT-40 CELL

Sit-down Riders and Specialty Truck Layouts

Plates Per Cell	Plate Type	(3) Standard Dimensions and Catalog Numbers N/C-(W/C)			Cell Type (1)	Height in Inches N/C - W/C	Capacity		Approx Weight (2) Pounds	Recommended Chargers			
		Length x Width	Length x Width	Length x Width			A.H.	KWH		Three Phase	Single Phase	Performance	
		51.12" x 22.31"	38.10" x 30.74"										
11	Square Tube				E80S	22.81" - 23.36"	400	30.88	3160	SES3-40-450	N/A	SES3-40-450	
					E85	22.69" - 23.36"	425	32.81	2760	ES3-40-450	N/A	ES3-40-450	
					E85D	22.81" - 23.36"	425	32.81	2792	ES3-40-450	N/A	ES3-40-450	
					E100	22.69" - 23.36"	500	38.60	2920	ES3-40-550	N/A	ES3-40-550	
					E100D	25.56" - 26.00"	500	38.60	3120	ES3-40-550	N/A	ES3-40-550	
					E110	22.81" - 23.36"	550	42.46	2960	ES3-40-550	N/A	ES3-40-550	
					E120S	30.56" - 31.06"	600	46.32	4320	SES3-40-680	N/A	SES3-40-680	
			507127W (506502W)		E125	30.56" - 31.06"	625	48.25	4000	ES3-40-680	N/A	ES3-40-680	
			(506502D)		E125D	30.56" - 31.06"	625	48.25	4000	ES3-40-680	N/A	ES3-40-680	
			(506502L)		E140	30.56" - 31.06"	700	54.04	4200	ES3-40-850	N/A	ES3-40-850	
		(506502S)		E155	30.56" - 31.06"	775	59.83	4280	ES3-40-850	N/A	ES3-40-850		
	Flat Plate				85G	22.81" - 23.36"	425	32.81	2800	ES3-40-450	N/A	ES3-40-450	
					85P	22.81" - 23.36"	425	32.81	2880	ES3-40-450	N/A	ES3-40-450	
					100G	25.56" - 26.00"	500	38.60	3120	ES3-40-550	N/A	ES3-40-550	
					100P	25.56" - 26.00"	500	38.60	3200	ES3-40-550	N/A	ES3-40-550	
			(506502G)		125G	30.56" - 31.06"	625	48.25	4040	ES3-40-680	N/A	ES3-40-680	
			(506502P)		125P	30.56" - 31.06"	625	48.25	4080	ES3-40-680	N/A	ES3-40-680	
		50.37" x 25.74"	38.32" x 36.06"										
	13	Square Tube		503005V		E80S	22.81" - 23.36"	480	37.06	3720	SES3-40-450	N/A	SES3-40-450
				503005		E85	22.69" - 23.36"	510	39.37	3120	ES3-40-550	N/A	ES3-40-550
			503005D		E85D	22.81" - 23.36"	510	39.37	3276	ES3-40-550	N/A	ES3-40-550	
					E100	22.69" - 23.36"	600	46.32	3440	ES3-40-680	N/A	ES3-40-680	
					E100D	25.56" - 26.00"	600	46.32	3640	ES3-40-680	N/A	ES3-40-680	
505511					E110	22.81" - 23.36"	660	50.95	3520	ES3-40-680	N/A	ES3-40-680	
					E120S	30.56" - 31.06"	720	55.58	5000	SES3-40-850	N/A	SES3-40-850	
505905W					E125	30.56" - 31.06"	750	57.90	4640	ES3-40-850	N/A	ES3-40-850	
505905D					E125D	30.56" - 31.06"	750	57.90	4640	ES3-40-850	N/A	ES3-40-850	
505905L					E140	30.56" - 31.06"	840	64.85	4800	ES3-40-850	N/A	ES3-40-850	
505905S				E155	30.56" - 31.06"	930	71.80	4840	ES3-40-1050	N/A	ES3-40-1050		
Flat Plate			503005G		85G	22.81" - 23.36"	510	39.37	3240	ES3-40-550	N/A	ES3-40-550	
			503005P		85P	22.81" - 23.36"	510	39.37	3320	ES3-40-550	N/A	ES3-40-550	
					100G	25.56" - 26.00"	600	46.32	3760	ES3-40-680	N/A	ES3-40-680	
					100P	25.56" - 26.00"	600	46.32	3880	ES3-40-680	N/A	ES3-40-680	
		505905G			125G	30.56" - 31.06"	750	57.90	4720	ES3-40-850	N/A	ES3-40-850	
		505905P			125P	30.56" - 31.06"	750	57.90	4800	ES3-40-850	N/A	ES3-40-850	

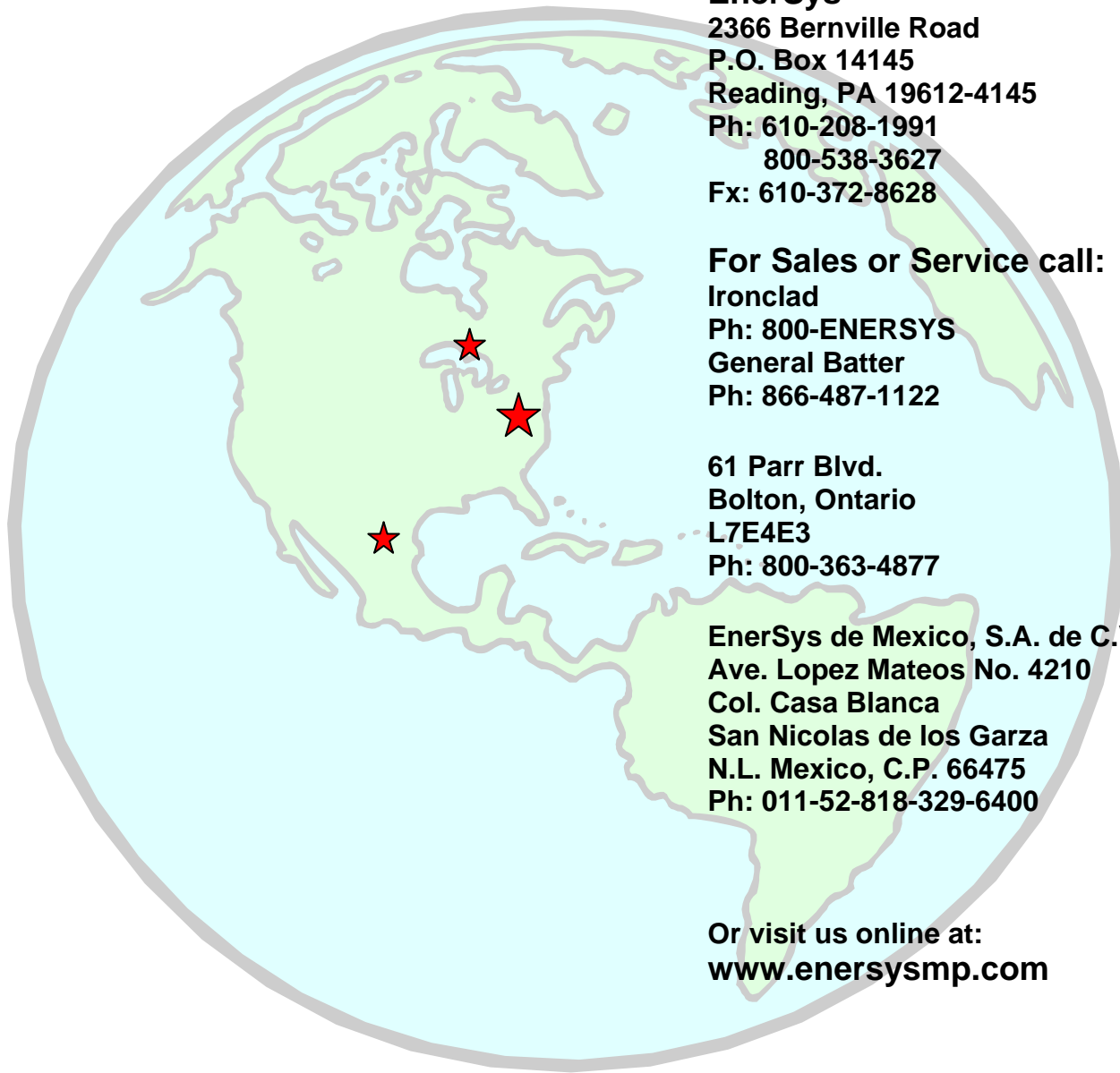
(1) Also available are E28S (11.06"H), E45S (14.06"H), E55L / 55GL (14.87"H), E60S (18.44"H) and E75L / 75GL (18.94"H)

(2) Caution: Weights may vary by +/-5%

* All batteries are standard layouts. Contact Sales for additional sizes and layouts

(3) If N/C and W/C are showing same part #, this designates a convertible [C] style tray. See "Typical Battery Configurations" at front of book for details.

(+) Indicates Recharge Times That May Exceed 8 Hours.



EnerSys
2366 Bernville Road
P.O. Box 14145
Reading, PA 19612-4145
Ph: 610-208-1991
800-538-3627
Fx: 610-372-8628

For Sales or Service call:
Ironclad
Ph: 800-ENERSYS
General Batter
Ph: 866-487-1122

61 Parr Blvd.
Bolton, Ontario
L7E4E3
Ph: 800-363-4877

EnerSys de Mexico, S.A. de C.V.
Ave. Lopez Mateos No. 4210
Col. Casa Blanca
San Nicolas de los Garza
N.L. Mexico, C.P. 66475
Ph: 011-52-818-329-6400

Or visit us online at:
www.enersysmp.com